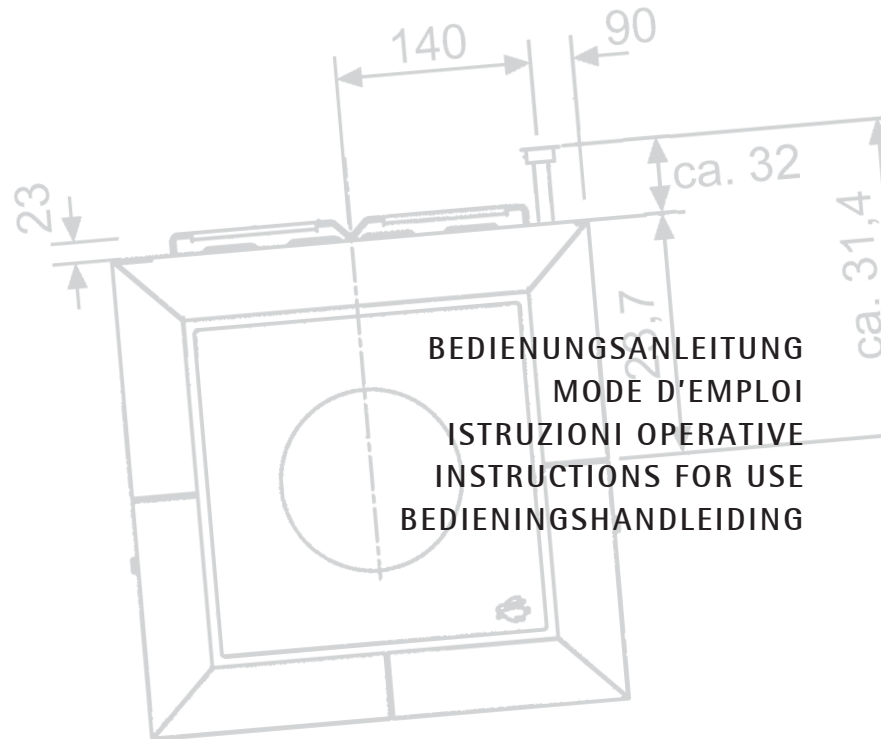


# MODENA - GASOFEN



<b>D</b>	<u>BEDIENUNGSANLEITUNG</u>	S.	<u>3-7</u>
<b>F</b>	<u>MODE D'EMPLOI</u>	P.	<u>9-13</u>
<b>I</b>	<u>ISTRUZIONI OPERATIVE</u>	PAG.	<u>15-19</u>
<b>GB</b>	<u>INSTRUCTIONS FOR USE</u>	P.	<u>21-25</u>
<b>NL</b>	<u>BEDIENINGSHANDLEIDING</u>	P.	<u>27-31</u>

Dear Hase Customer

With your Hase Gas you have chosen a quality product. Handicraft tradition, an elegant design and the latest technology guarantee you years of joy and reliable service.

The body of the Gas fire consists of strong steel plates that have been produced using modern welding engineering. Thermo plates in the fire chamber and heat-consistent special varnish guarantee stability and a long service life of all Hase models. We pay the greatest possible attention to top quality of all materials used, as well as highest possible care in workmanship. The MODENA GAS is a room-air dependent convection room heater with flame effect due to imitation glowing embers and imitation logs. It can be operated manually or via remote control. Temperature and time can only be set via the remote control.

To ensure the safest, most efficient and environmentally-friendly usage, we recommend following the safety notes and operating instructions for the gas fire.



### Safety Notes:

If you smell gas:

1. **No open fires!  
No smoking!**
2. **Avoid sparking! Do not use any electrical switches, including telephones, plugs and doorbell systems!**
3. **Shut off main gas supply valve!**
4. **Open windows and doors!**
5. **Warn other occupants and leave building!**
6. **Ring your gas utility company or specialised heating company from outside the building!**

	page
1 Switching on	22
2 Switching off	22
3 Operating instructions	22
4 Maintenance instructions	23
5 Initial operation	23
6 Flame regulation	23
6.1 Without remote-control	23
6.2 How to set time and temperature using the remote-control	23
7 Connection of the receiver for the remote-control and battery change	25
8 Specifications for the Chimney sweep	25

# OPERATION

## 1 Switching on

Open the gas tap that is integrated in the supply line.

The operating elements can be found on the right-hand side at the bottom behind the operating door. This door has a magnet lock that can be opened by simply pulling it (pic. 1).

Use button A (pic. 1) to switch the appliance on and off, ignite it or set it on stand-by.

- 1) Turn button A to the left as far as possible, push and wait for some seconds (only ignition gas will flow).
- 2) Keep the button pushed, turn it further to the left and ignite. When the pilot light burns, keep it pushed for ten seconds. In case, the pilot light does not burn, you can immediately repeat steps 1 and 2.
- 3) After ignition of the pilot light, release the button and turn it further to the left. Ignition gas and, depending on the setting of button B (pic. 1), also main gas will flow now.



Note:

**The development of condensate on the fire chamber panes when starting the "cold" appliance as well as the blue colour of the flame in the beginning which will turn yellow after about 15 min. are totally normal and no reason to worry.**



pic. 1

A

B

## 2 Switching off

- 1) Turn button A as far as possible to the right. In this position only ignition gas will flow. The flame regulation is deactivated.
- 2) In order to completely switch off the appliance, push the button slightly and turn it into the off position. Only after the thermo element has cooled down sufficiently, can the Gas fire be restarted. (Restart lock).

## 3. Operating instructions

The MODENA GAS contains a flue gas control mechanism that interrupts gas supply in the case of any disruption in the flue gas guide.

After cut off of the Gas fire due to disturbances, it will take 10 min before you can restart the Gas fire (see 2.3). In the case of repeated cut off due to disturbances please speak to a specialised dealer or installer.



**Note: It is not allowed to put the flue gas control mechanism out of action.**

All surfaces except the control door have changing functions and temperature cycles. These surfaces may not be touched during operation due to the danger of burning.

No flammable materials must be put in front of, behind, under or on the Gas fire.

Pay attention that neither curtains nor any other sensitive materials are located near the Gas fire (see installation instructions 1.3).

The arrangement of the imitation logs must not be changed or complemented. Broken imitation logs must be replaced

with an original spare part from the manufacturer.

Protect the Gas fire covering of glazed glass (if available) from extreme variations in temperature. Do not put cold water on the hot glass plate.

For the protection of little children we do recommend using a protection fender.



**Note: Only use the Gas fire when the fire chamber door is closed and the glass panes are intact.**

## 4 Maintenance instructions



**Note: Only accredited specialists are allowed to maintain the MODENA GAS.**

### *Cleaning*

When cleaning the MODENA GAS, pay attention not to damage the burner or the ignition unit.



**Note: The Gas fire must not be used if the burner mat or other components of the burner unit are damaged.**

You can clean the ceramic glass panes and the glass covering with a normal glass cleaner. Do not use any scrubbing or scratching detergents. To clean the glass fibre mat, take off the mock wood and put it in again as described in the installation instructions.

Use a soft paintbrush to clean the glass-fibre mat. Do not use a vacuum cleaner (danger of destruction).

When cleaning the steel parts, do not use any acidic detergent (e.g. citrus or acetic detergent).

It is sufficient to wipe them with a damp cloth.

In order to guarantee reliable service of the Gas fire, we recommend having it checked and possibly also cleaned once a year by an accredited installer.

## 5 Initial operation



**Caution  
Precautionary Measure:**

Please note, that vapours will be emitted the first few times you use the Gas fire. We recommend that you let it operate at the highest setting for a few hours and make sure there is plenty of ventilation.

## 6 Flame regulation

### 6.1 Without remote-control

When you turn button B (pic. 1) towards the higher settings, the flame gets higher and vice versa.

### 6.2 How to set time and temperature using the remote-control

#### Setting the display (from °C/24h to °F/12h and vice versa)

After connecting the battery (type 9V Block) or by simultaneously pushing AUTO and TIMER the display starts blinking. While blinking, you can make your display settings. By pushing the AUTO button you can change from °C to °F and vice versa. The display switches to manual control mode after a while. Immediate switching is possible using the TIMER button.

# REMOTE CONTROL

## Setting the time

After connecting the battery (type 9V Block) or by simultaneously pushing AUTO and TIMER the display starts blinking. In order to set the time, press ▲ for hours, ▼ for minutes. Then wait or press TIMER in order to switch to manual control mode.

## Setting the desired temperature

Keep AUTO pressed until the display starts blinking, then set the temperature with ▲ or ▼ respectively. Now wait or press AUTO in order to switch to "Automatic" mode. A sensor in the transmitter takes the room temperature, which is then checked, against the desired temperature. The receiver gets a signal and turns the motor in the gas valve, in order to adjust the required height of the flame.

## Programming the Timer

Keep the TIMER pressed until display P1\* starts blinking. Use ▲ for hours and ▼ for minutes in order to set the On- time and then press TIMER. When P1) occurs, set the Off time, push TIMER again and set the times for program 2 (P2\* and P2)). If you not need to program a second time, set both P2\* and P2) to the same time. Then confirm with TIMER. Outside of the programmed times a ) appears in the display.

## Using the different modes

### Manual setting of the flame height (MAN)

Press ▲ to light the fire (main burner) or to increase the flame height, press ▼ in order to lower the flame height or in order to put on the pilot light. Every time you press this button, the sending symbol appears in the upper left corner. When the valve reaches the stop, the LED of the receiver starts blinking.

### Regulating the temperature (AUTO)

Briefly press AUTO. The set temperature briefly appears in the display, and then the room temperature is shown.

### Timer (TIMER)

When the Timer is in On-mode, the temperature is regulated as in the AUTO mode. When the Timer is in Off-mode, the motor turns on the pilot light. In order to check the set temperature, press AUTO and then go back to Timer mode.

When the Timer mode is in Off-mode, the temperature is not controlled, so that the battery consumption of the sender is very low. Using buttons ▼ and ▲ you can get back to manual control from any mode.

We recommend always switching off

with button ▼ before switching off the appliance. The sender is inactive then and does not unnecessarily discharge the batteries.



### NOTE:

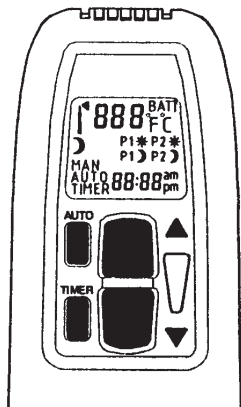
If you do not require the temperature control and/or timer function, we recommend always using the ▼ button to switch off the MODENA GAS FIRE. The sender is then not active, thus conserving the batteries.

## Changing the batteries

In case BATT does appear in the upper right corner or if the LED of the receiver gets darker, you should change the battery.

## Safety cut-off

In case, the receiver does not get a signal for 2 hours, the appliance is automatically turned to pilot light. As soon as a signal is received, the appliance gets switched on again.





**Note:**

Before switching on the AUTO or TIMER mode with ▲ or ▼, check the reception.

In order to regulate the temperature, the flame height is set according to the time the motor is running. This time is dependent on the size of the room, performance of the heater, battery strength etc. A microcomputer measures the temperature increase per time and corrects the working time of the motor in the next heating cycle in order to adapt the flame height to the required heat. In case, the low level is sufficient for warming up the room, the heater will switch between the low level and the off mode after some cycles. This allows for longer On-times and an even room temperature as opposed to a simple on and off regulation.

In the event that you are away from your house for a long period i.e (on vacation) we recommend that you switch off the gas fire so that the remote functions can not be activated. In the case of a turned on, unsupervised gas fire: In exceptional cases external signals can affect the ultrasonic receiver and adjust the flame height.

## 7 Connection of the receiver for the remote-control and battery change

Connect the plug of the receiver part included in the delivery to the cable at the back underneath the Gas fire. Now put the receiver part with the cable into the retainer cassette (see pic. 1) intended for that purpose. For battery change (4x 1,5 V AA) just take the receiver part out of the retainer cassette. After opening the cover you can change the batteries. Pay attention to correct polarity when putting in the batteries (see pic. 1). The red LED should light up when the ▲ and ▼ buttons on the remote control are pushed. When button B (pic. 1) is at its limit stop, the LED will start blinking.



pic. 2

## 8 Specifications for the Chimney sweep

**Model Name: MODENA GAS**

Classified in accordance with Art B11B5

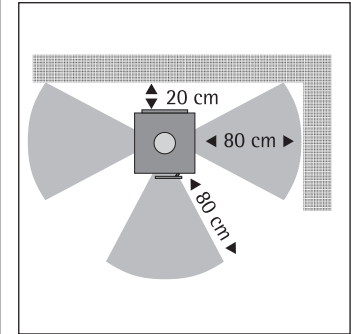
### Data for Chimney Calculation

Nominal Heat Load:	9,5 kW
Nominal Heating Capacity:	7,2 KW
Flue Gas Mass Flow:	11,5 g/s
Flue Gas Temperature:	205 °C
Minimum Supply Pressure at	
Nominal Heating Capacity:	4 Pa



The flow protection device is located at the stove's back wall.

Safety clearance distance to combustible materials



### Elbow Smoke Pipe Set Measuring Hole MODENA GAS



The measuring hole is located behind the inspection cover.