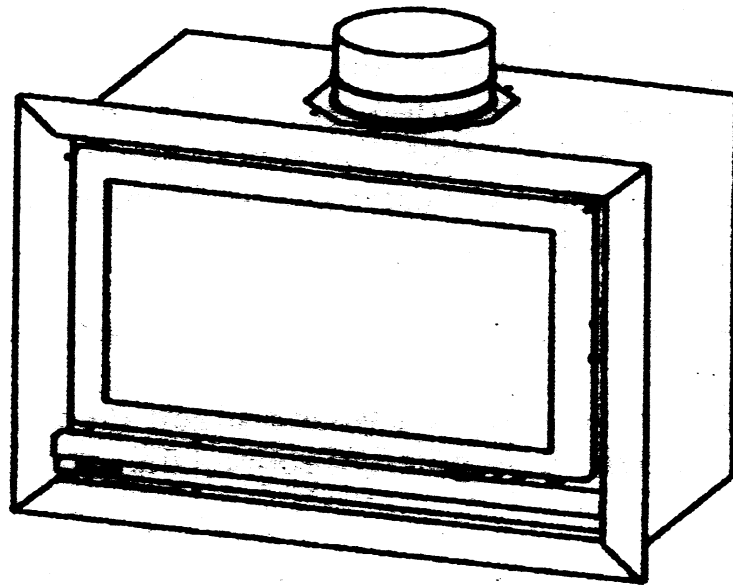


**BODART
& GONAY** ®



IN-FIRE

Jubilee

**USER'S MANUAL,
MAINTENANCE MANUAL
INSTALLATION INSTRUCTIONS**

Dear Customer!

Congratulations on the purchase of your new **Bodart & Gonay** appliance!

Your choice shows the interest you have for high quality products. You are now a full member of the large international family of **Bodart & Gonay** customers, who have enjoyed for many years the elegance, efficiency and reliability of our equipment.

This is why we deem it important to provide you with this user's and maintenance manual: to allow you to use your equipment under the best possible conditions and in the most optimal manner, and furthermore to increase its operating life. **We strongly advise you to read it carefully.**

And, of course, to store it in a place where you are sure to find it again without any problem.

We also provide hereunder a space where you can note for yourself the date of purchase, reference and the name and address of your supplier, so that this information is always kept safely.

Also keep carefully the invoice or **proof of purchase (necessary for the guarantee)** and we advise you to clip them together with this manual.

We wish you every satisfaction with your **Bodart & Gonay** equipment. After sales service.

* **Type of equipment** :

* **Reference** :

* **Date of purchase** :/...../.....

* **Dealer** :
- **Name** :
- **Street** :
- **City** :

CONTENTS

INSTRUCTIONS ON MAINTENANCE AND USE

A. IMPORTANT RECOMMENDATIONS	4
B. CHARACTERISTICS	5
C. USE OF THE FIRE	6
D. MAINTENANCE	9
E. TROUBLE SHOOTING	11
F. GUARANTEE	12

INSTALLATION INSTRUCTIONS

A. SAFETY	14
B. RECESS	15
C. CHIMNEY	16
D. HOT AIR DUCT	17
E. ELECTRICITY	18
F. INSTALLATION OF THE FIRE	20

INSTRUCTIONS ON MAINTENANCE AND USE

A. IMPORTANT RECOMMENDATIONS

L Carry out the *installation* in accordance with the *safety regulations* (see instructions, under the heading “Installation”).

L FUEL

This appliance **ONLY** burns **logs of wood**.

L THE FIRST TIME YOU LIGHT IT

* If you have selected the *fan* option, set the fan on maximum speed to *run it in* (for about 12 hours).

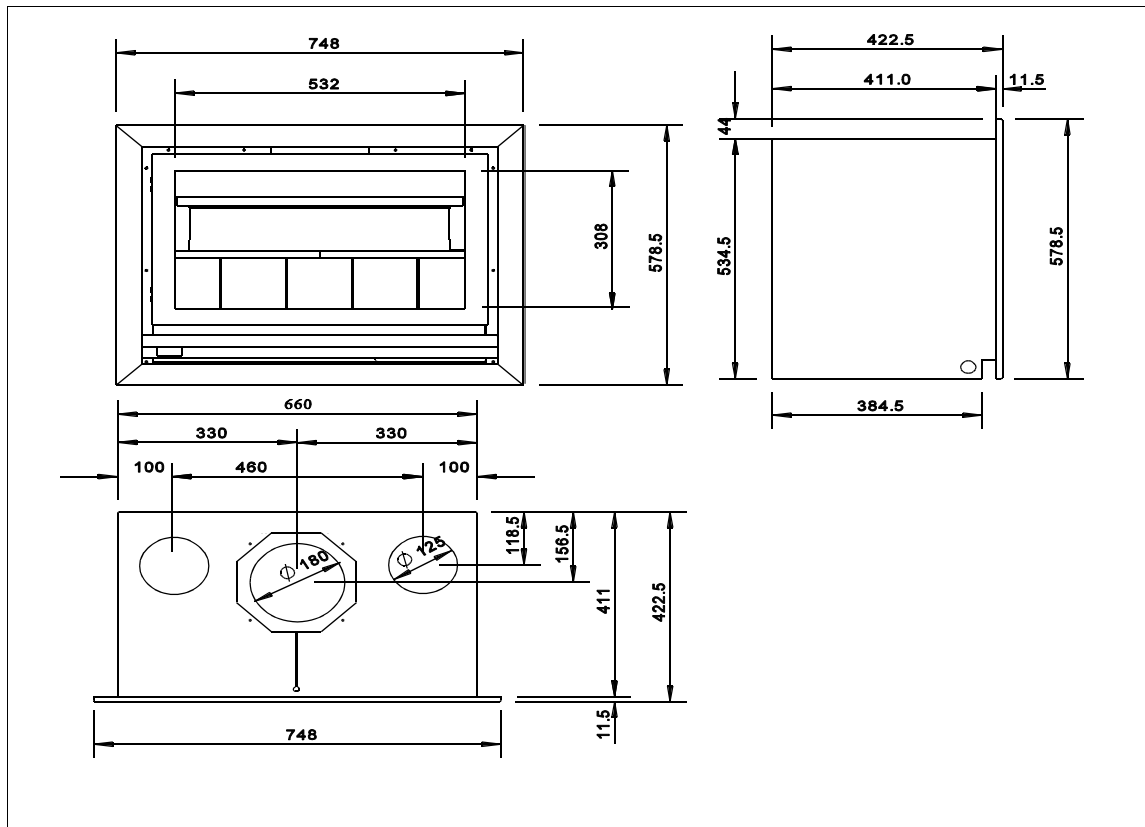
* The first fire *bakes the paint*, which causes *fumes to be given off*.

" AIR THE ROOM

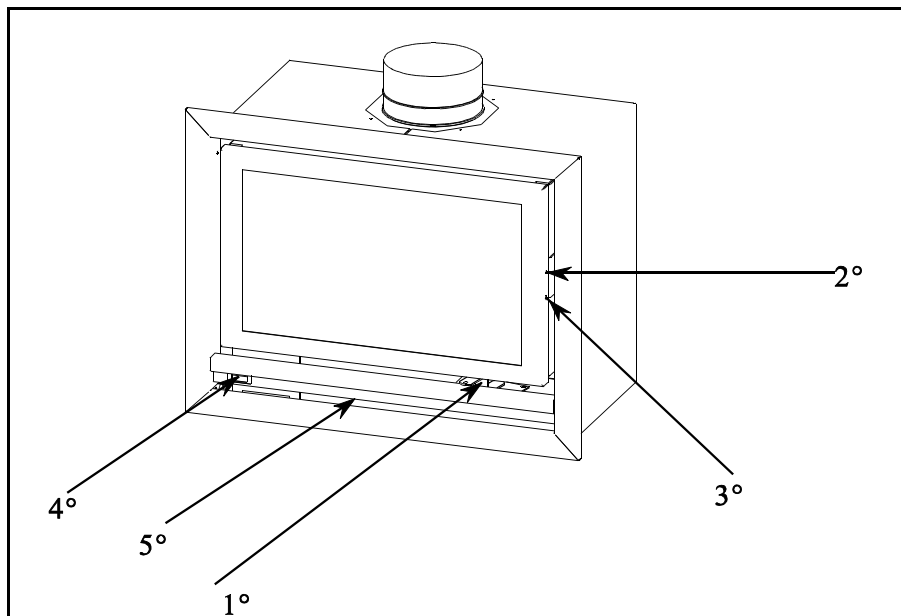
***DO NOT TOUCH THE PAINT UNTIL THE FIRE HAS COOLED
DOWN, AS IT SOFTENS WHEN FIRST HEATED.***

B.CHARACTERISTICS

TYPE: Jubilee	47B66B4P
RATED HEATING POWER:	7 KW 6020 Kcal
FUEL:	WOOD
DIAMETER OF SMOKE OUTLET:	180 MM
NUMBER OF SMOKE OUTLETS / DIAMETER	2 X Ø 125
WOOD CONSUMPTION (ON TOP SETTING):	2.8 Kg/h
VENTILATION 1 TANGENTIAL TURBINE	
MAXIMUM FAN OUTPUT:	150 M ³ /H
ELECTRIC POWER:	29W
ELECTRIC VOLTAGE:	230 V A.C.
WEIGHT :	77 Kg WITHOUT FAN 79 Kg WITH FAN



C. USE OF THE FIRE



1) USE OF MOVING PARTS AND SAFETY DEVICES

AIR REGULATOR (1)

This adjusts the quantity of primary air for combustion according to the position (+ to the right and - to the left). It can be moved using the safety handle.

CLOSING THE DOOR AND SAFETY HANDLE (2)

To close the door, insert the safety handle in the **top** hole of the right hand door section, and then close it until you hear the catch click. (N.B.: the catch resistance can be adjusted using a screwdriver).

DOOR SAFETY DEVICE (3)

This device prevents the door from being opened accidentally. To use it, push the end of the safety handle into the lower hole in the door. Pivot the safety handle to the left, until it is horizontal, and then let it rest against the bottom of the door. Now the door cannot be opened.

THE SWITCH (FAN OPTION) (4)

This activates the fan and gives a choice of two rotation speeds (fast and slow) and stop.

THE FAN (5)

If this option is included, it **must** be switched on **every time** the fire is lit. The fan should be cut off every time the door is opened and restarted as soon as you close the door.

II) OPENING AND CLOSING THE DOOR

WHEN A FIRE IS ON, OPEN THE DOOR SLOWLY. A fast opening may lead to a temporary spillage of smoke.

III) OPERATION

1 THE WOOD

The **QUALITY** of the wood is **ESSENTIAL** for an optimal operation of the appliance (efficiency, cleanliness of the window, ...). A quality wood is a **dry wood** having dried ***at least 2 years under a ventilated shelter.***

<i>Jubilee MODEL</i>	
Maximum load (only for moderate setting)	6 Kg
Recommended load for 1 hour on maximum setting	2.8 Kg

LIGHTING THE FIRE

Î **OPEN** fully the air flow.

Ï Place crumpled paper (or fire lighters) and **KINDLING FIREWOOD** in the appliance on the grate.

Ð **LIGHT** the FIRE.

Ñ Leave the door **SLIGHTLY AJAR** to avoid an accumulation of dirt on the window, its temperature is too low it could leads to condensation and a deposit of particles on the glass if the door is closed to early .

Ò As soon as the window is sufficiently **HOT, CLOSE THE DOOR.**

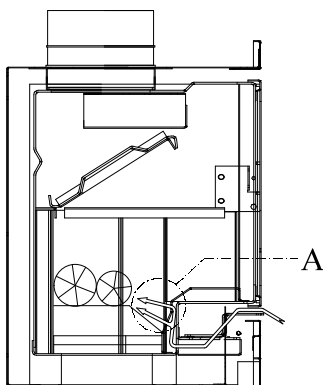
Ó Wait until the kindling firewood burns briskly and **LOAD** the first logs, choosing the smaller ones to start with.

Ô **START THE FAN (OPTION).**

Õ When the fire is burning brightly and the appliance is hot, set the air regulator to the required position.

LONG LASTING COMBUSTION

- Keep a bed of glowing embers of 3 to 5 cm on the bottom of the appliance.



A: Let the air inlet holes free

- Choose logs of very high cross section.
- Reduce the air flow according to the draught of your chimney.

REMARK:

- *The use at a reduced rate for a long time may, because of condensation, lead to an accumulation of creosote in the chimney and thus to a risk of setting the chimney on fire.*
- *AVOID AN OPERATING AT A REDUCED RATE WHEN THE ATMOSPHERIC CONDITIONS ARE UNFAVOURABLE (low pressure and high humidity) as this could cause problems .*

2 FORBIDDEN FUELS

This heater is designed to burn **LOGS OF WOOD ONLY**.

The use of treated wood (e.g. painted) or any other recycled material giving off gases

which are environmentally harmful or damage the components of the fire, is **FORBIDDEN** and will invalidate the guarantee. As the fire has no grate, coal must not be burned.

The use of **LIQUID FUELS** (e.g. petrol) is **FORBIDDEN** (even for lighting).

D. MAINTENANCE

CHIMNEY SWEEPING: have your chimney swept at least once a year - both to comply with the LAW, and with a view to SAFETY.

- Remove the baffle and chimney deflector (See *Dismantling the baffle*). Close the door and the air regulator.
- When the dust has fallen, just remove it with a vacuum cleaner.

Check the condition of parts subject to high combustion temperatures. Slight deformations will not prevent them from continuing to work properly.

CARRY OUT THE FOLLOWING OPERATIONS:

AIR DISTRIBUTOR: If necessary, clear the air inlet holes.

FAN: DISCONNECT from the electricity supply. Remove the frame and take out the fan box. Dismantle the protective grid (4 screws). Remove dust using a fine brush (not compressed air). Fit everything back in place.

DOOR: Check that the lock is working properly. (See installation of fire).

GLASS: If you use a chemical product for cleaning, PROTECT exposed painted surfaces. We recommend use of the “*BG Clean*”, which you can obtain from your distributor.

PAINT: Dirty areas can be restored using special HIGH TEMPERATURE paint sprays which you can obtain from your supplier.

E. TROUBLESHOOTING

PROBLEMS	SOLUTIONS
GLASS GETTING DIRTY TOO QUICKLY	<ul style="list-style-type: none">– Check whether the fuel is damp– Increase the fire setting
FAN stops working	<ul style="list-style-type: none">– Check that the motor is working– Check (and reconnect) the supply– Check the switch
FAN works, but weak flow	<ul style="list-style-type: none">– Clean the turbine blades– Dust the fan
DRAUGHT too strong	<ul style="list-style-type: none">– Consult your supplier
DRAUGHT too weak, possibly giving off fumes into the room	<ul style="list-style-type: none">– Check the chimney (see installation instructions)– Remove any obstructions– Have the chimney swept
Disturbances linked with atmospheric conditions	<ul style="list-style-type: none">– If this is continuous, consult your supplier
The fire is not brisk enough	<ul style="list-style-type: none">– Check the humidity of the fuel– Check the air regulator– Clear the hole of the distributor

If there is a chimney fire, close the door and air regulator immediately.

F. GUARANTEE

DURATION AND LIMITATION

- **6-year guarantee on:** the overall structure;
- **1-year guarantee on:** the internal removable parts and the fan;
- **no guarantee on:** the glass, bricks and cast iron plates.

RESERVATIONS

Bodart & Gonay reserve the right to modify their equipments, catalogues, and manuals independently, at any time and without prior notice.

The validity of the guarantee is cancelled in case the mandatory recommendations of this manual are not fulfilled.

The intervention under the guarantee are only made through the dealer on presentation of the purchase invoice.

Parts will be delivered only against the faulty parts.

EXCLUSION

Disasters, breakdown or faulty operation linked to:

- inadequate relation between the nominal power of the equipment and the heat requirements of the premises;
- a faulty installation or faulty connections;
- an insufficient or excessive draught;
- incorrect use;
- non compatible fuels, destructive and/or damp fuels (treated wood,...);
- consumption exceeding the use limits;
- a lack of maintenance;
- the use of electrical or electronic components that are not approved by Bodart & Gonay;
- any modification, transformation inside the appliance;
- transport and installation.

Transport and packaging cost.

All costs not previously accepted by Bodart & Gonay.

Costs due to the non-use of the equipment.

TAKING EFFECT

The guarantee starts on the date written on the invoice. The invoice is the only document valid for the guarantee.

INSTALLATION INSTRUCTIONS

Your dealer is the **SPECIALIST** that **BODART & GONAY** have chosen to represent them in your area.

For your **SAFETY** and **SATISFACTION** we recommend that you entrust him with carrying out your installation.

The appliance must be installed in compliance with the rules of building regulations and any local regulations.

However, if you want to assume the installation, to avoid any mistakes allow us to recommend that you:

- refer to the terms of our guarantee
- take the advice of your dealer.

As it is impossible to mention all the particularities of all cases that may occur, we limit ourselves to the important points:

A. SAFETY:

- **COMBUSTIBLE MATERIALS** must be avoided in the proximity of the appliance and of the connection to the chimney.

Example: a decorative wooden beam above the appliance requires to be well insulated.

It is forbidden to place the frame against combustible material (for ex : well paper)

- **INSULATING MATERIALS:** use preferably materials that withstand **HIGH TEMPERATURES (DO NOT USE GLASS WOOL).**

Example: around a metal part linking to the chimney, a ceramic insulation is mandatory.

- **THE SEALING OF THE CHIMNEY** and of the linking parts is absolutely required in order:

- to prevent any combustion gas leak
- not to interfere with the draught of the chimney

- **ANY COMBUSTION CONSUMES AIR.**

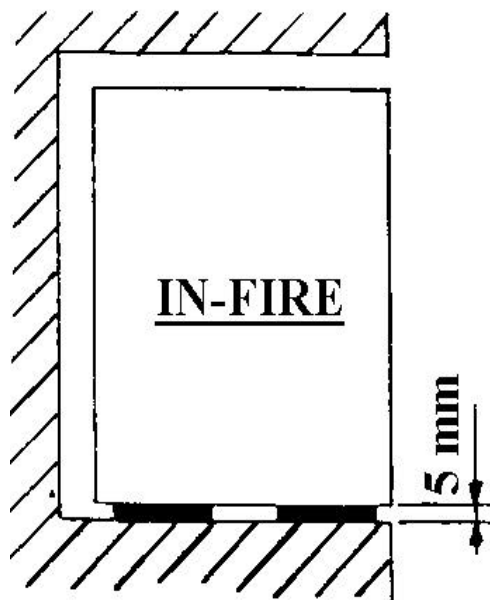
From the gap under the door to the direct outside air intake, every one must choose the solution best adapted to the installation to compensate the slight consumption of air. Never create a depression in the room where the appliance is installed.

DO NOT SEAL ALL THE AIR INTAKES.

IF AN EXTRACTION FAN CANNOT BE AVOIDED IN THE SAME PREMISES, AN ADEQUATE AIR INTAKE MUST BE PROVIDED TO AVOID ANY DEPRESSION.

B. RECESS

- Clear the recess for connecting to the chimney, and possibly, for the hot air ducts. Remove any sinks and dampers.
- Make up the lateral and rear walls with a clearance of minimum 3 cm around the appliance in order to be able to insert it with its insulation. This will provide a better heat yield, in particular if the equipment is placed against an outside wall.
- In the case of masonry, it is ***FORBIDDEN*** to place masonry on the top of the In-Fire. The appliance is not load bearing.



* Leave a gap of approx. 5 mm under the fire (see drawing).

C. CHIMNEY

The chimney flue must be made according to the best rules of the trade, here are the most important ones:

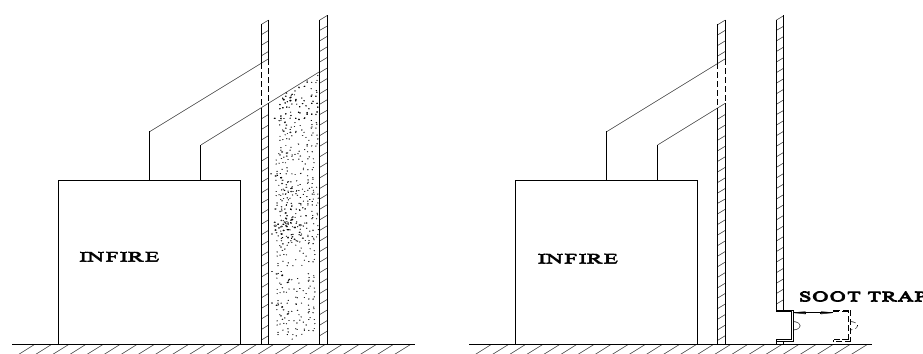
- Minimum height 4 m
- The cross section must be neither too small (not less than the output cross section of the equipment)
nor too large (risk of condensation and poor draught)
- The flue must be thermally insulated
- Avoid sloping parts, never exceed a slope of 45 ° and avoid any sharp bends of direction (large curving radius)
- **THE OUTPUT OF THE CHIMNEY AND ITS PLACEMENT ARE VERY IMPORTANT:** ask for advice from a chimney expert (any device which reduces the cross section at the output must be avoided)
- If there are obstacles near the output of the chimney, they must be taken into account.
- Foresee later chimney sweepings
- Connect only one appliance per flue
- In case of a double flue:

* choose the best one

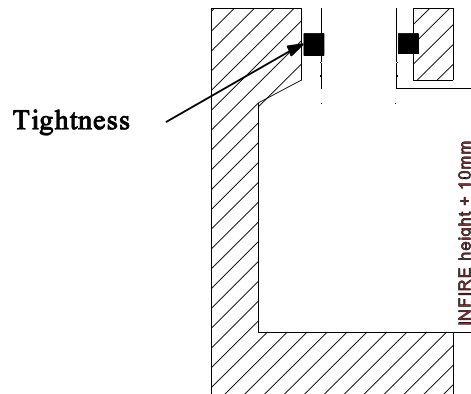
* seal the one that is not used

- In case of a lateral connection to an existing flue, make one of the following

assemblies:



- **TIGHTNESS AND CLEANLINESS** are important.
- Seal all the linking parts so that the bottom of the flue socket is placed 10 mm higher than the top of the appliance that will be introduced.



- On installation, if necessary install a draught regulator.
The depression must be measured at the time of the first fire. The IDEAL DRAUGHT is between 12 and 20 Pa (1.2 to 2 mm water column). If it goes outside these limits, it is MANDATORY to act on the chimney.

D. HOT AIR DUCT

Two ducts can be connected to the top of the appliance to heat adjacent rooms. (Their installation is recommended if the fire is installed without the fan).

When installing these ducts, limit their length, never bring them back down, avoid bends and changes of direction as much as possible, as the losses of speed caused reduce the efficiency of the hot air outlets at the end of the run.

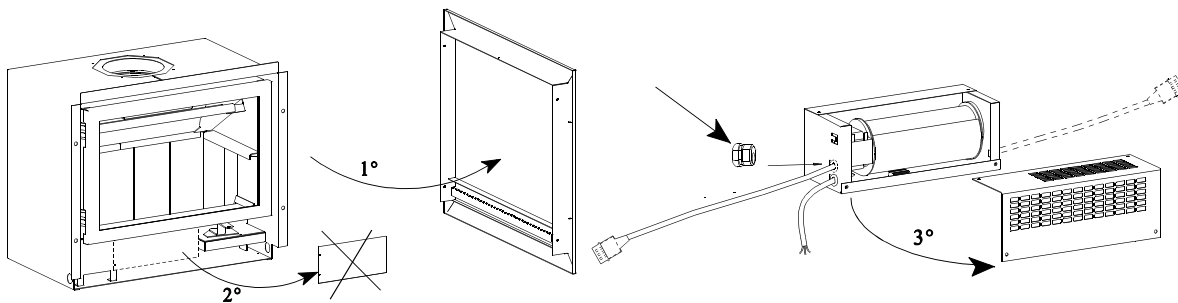
Depending on requirements and the risks of heat loss, it may be of use to insulate these ducts. Take care, as without a fan, the hot air temperature may reach 200°C. It is therefore vital to isolate the ducts and their outlets from any combustible material.

Remark: *an efficient hot air circuit requires an air return so as to avoid depression in the room where the appliance is. For each room concerned, a ventilating grid placed near the ground allows the cooled air to come out of the place in order to complete its circuit.*

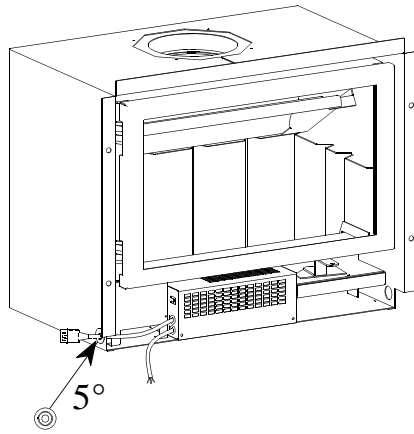
E. ELECTRICITY

Installation and connection of the fan box

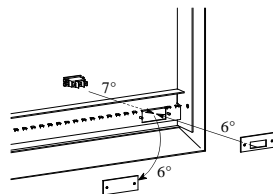
- 1 Remove the front frame by simply pulling it forwards. (Take out the 4 lateral clips). Then let the central screw slide out of its location.
- 2 Dismantle the right hand side of the protective screen (2 screws).
- 3 Remove the protective grid from the fan box. Connect the female connector of the silicone cable to the connector inside the fan box. Bring the silicone cable out through the right or left hand side opening in the box according to the side selected for the supply, and locate the rigid cable grip.



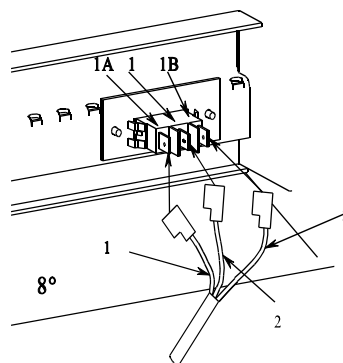
- 4 Attach the self-adhesive tabs to the bottom of the fire so as to place the fan box as close as possible to the bottom of the heating body. Make sure the box does not come into contact with the parts of the fire (to prevent vibration problems).
- 5 Bring the silicone cable back out of the fire through the hole provided for this purpose and position the round membrane cable grip.



- 6 At the rear of the front cover, dismantle the Bodart & Gonay badge from the support and replace it with the pierced insulation.



- 7 Clip the switch into the insulator through the outside of the front.
- 8 Connect the switch in accordance with the diagram below. Brown wire
Black wire

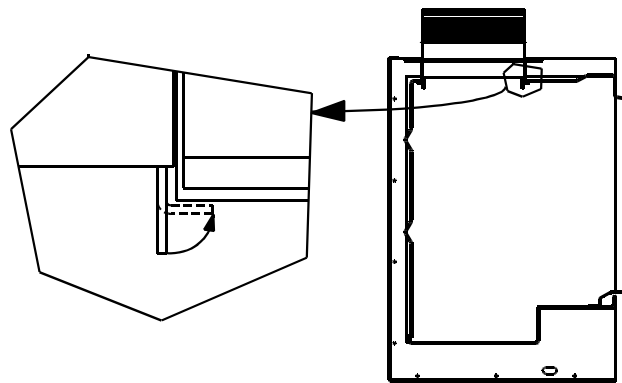


- 9 Replace the front cover. Blue wire

Reminder: - Don't use the same circuit as your video and audio equipment.
- The electrical supply must include a ground connection.

F. INSTALLING THE FIRE

- 1 Dismantle removable parts:
 - the door (open beyond 45° and lift)
 - the baffle and chimney deflector
 - the false brick set.
- 2 Insert the fire in the recess and locate in correct position.
- 3 Connect the hot air fittings if any, through the chimney outlet.
Reminder: If the fire is installed without a fan, installation of the hot air fittings is recommended to improve the natural convection.
- 4 From inside the fire, find the fitting and pull it until it sticks. Then fold back the safety lugs.



- 5 Make the electric connection through one of the sides, either right or left (fan option).
 - 6 Fit the outer frame, placing the screw in line with the housing.
 - 7 Fit the removable parts.
 - 8 Check that the moving parts and the fan are working (**LEAVE ON MAXIMUM SPEED FOR THE FIRST FIRE**).
- * Check that the door is working correctly (if necessary, adjust the catch tightness using the 2 screws).

- * With the door closed, check that there is no clearance between the door and the heating body, by pressing on the right hand side of the door. A slight clearance can be accepted at the lower right hand corner.
- 9 Dust visible painted surfaces.
 - 10 Light the first fire to bake the paint (air the room and do not touch the fire).
CHECK THE DRAUGHT.

SPARE PARTS LIST

Ref.	Code No.	DESCRIPTION
1	37B66008	Chimney deflector
2	37B66007	Baffle
3	37B66006	Distributor
4	37B66005	Air regulator
5	37B66013	False brick 240 x 120 x 30
6	37B66021	False brick 240 x 100 x 30
7	37B66019	False brick 150 x 93 x 30
8	37B66018	Air duct
9	07CB300	Brick 240 x 120 x 30
10	07CB313	Brick 240 x 60 x 30
11	07RV1037	Glass
12	07ADVSH1	Catch
13	37B66003	Fitted door
14	37B66004	Outer frame
15	37B66009	Catch support
16	37116411	Chimney connection fitting Ø 180
17	07PB0104	Safety handle
18	37115018	Poker
19	07I79902	Door washer
20	07I79903	Air regulator washer

