

TECHNICAL LEAFLET



DON-BAR
Design

DON-BAR SA – 64 Chemin de la Guelenne – 7060 SOIGNIES – Belgique – T +32.67.64.51.90 – F +32.67.64.51.99 – Email : don-bar-tech@skynet.be
D.B. s.a. – 8 Rue Maréchal de Lattre de Tassigny – 59800 LILLE – France – T +33.3.28.82.06.32 – F +33.3.28.82.07.52 – Email : don-bar-tech@skynet.be
www.donbar.com

■ No contractual document. The products presented can be changed or cancelled ■



CONTENTS

THE WALL-MOUNTED FIREPLACES

p. 4 to 5 :

Models 4010 / 4110 / 4005 / 4105 p. 4

Models 8300 / 9300 p. 5

THE WALL-MOUNTED AND CORNER FIREPLACES

p. 6 :

Models 8170 / 8175 p. 6

THE CENTRAL FIREPLACES

p. 7 to 10 :

Models 83-123 O / 83-123 M / 9600 C p. 7

Models 4600 fixed / 4600 rotative p. 8

Models 9120 C / 3168/4 p. 9

Models 69-52/2 loft / 80-60/2 loft (double glazed) p. 10

THE BUILD-IN FIREPLACES

p.11 to 18 :

Model 3073DP p.11

Model P3073DP p.12

Model 3168DP p.13

Models 3168/N / 2001 p.14

Models 69-52 / 80-60 p.15

Models 69-52/2 / 80-60/2 (double glazed) p.16

Models 75-55 / 85-65 (lifting door) p.17

Model 4200 P 18

THE SUSPENDED FIREPLACES

P 19

Models 5005 / 7005 / 7007 / 7100 / 7120 p.19

THE STOVES

p.20 to 22 :

Serial 3000 single panel 3073 / P3073 / 3168 P.20

Models 3168/3 / 6900 p.21

Models 69-52 / 80-60 simple face version loft p.22



by Don-Bar

CONTENTS

THE CORNER FIREPLACES

Model IZO

p. 23 :

p. 23

THE WALL-MOUNTED FIREPLACES

Model PRISMA H & V

Model AERA

p. 23 :

p. 23

p. 24

THE CENTRAL FIREPLACES

Model HOT

Model ORA

p. 25

p. 25

p. 26

THE BUILD-IN FIREPLACES

Model STIL

Model SEDNA 140

Model SEDNA 120

Model XAR

Model XAR DF

p.26 to 28:

p.26

p.27

p.27

p.28

p.28

THE ACCESSORIES

p.29

THE CONNECTIONS WITH STAINLESS TUBES

p.30

THE CONNECTIONS POSSIBILITIES

p.30

THE SMOKE FLUES AND FIXING COMPONENTS

p.31



THE OPEN GAS FIREPLACES

Model 4005 / 4010

Model 8170 / 8175

Model 8300 / 83-123

p.32 to 34

p.32

p.33

p.34

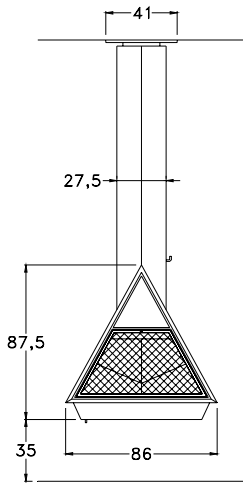


THE WAAL-MOUNTED FIREPLACES

Models 4010/4110

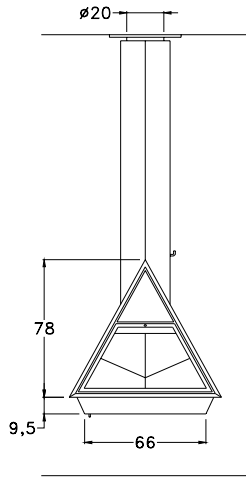
These models are fixed to the wall. If the wall cannot bear the weight, the stove may be placed on a pedestal. The fireplaces are equipped with a double back. Connection to the flue is made by a stainless tube placed inside the ornamental tube, these are made to measure depending on the height of the room. Ventilation spaces are left between the tubes and the ceiling plate.

4010 open fireplace

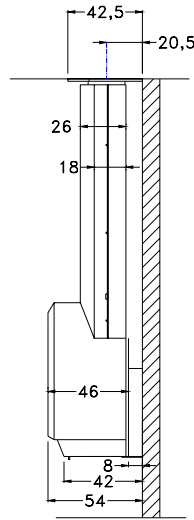


Front view 4010

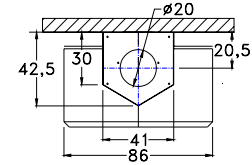
4110 close fireplace



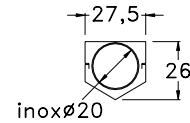
Front view 4110



Side view 4010/4110



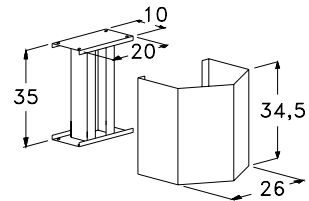
Top view 4010/4110



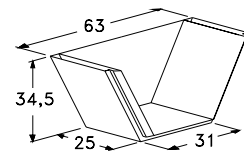
Shell top view

Options

Support and ornamental pedestal

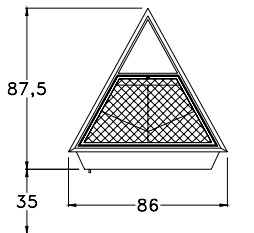


pedestal with wood basket



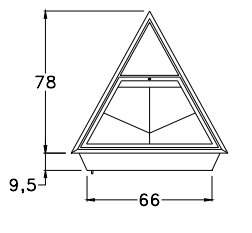
Models 4005/4105

4005 open fireplace

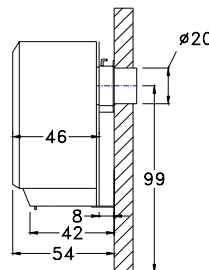


Front view 4005

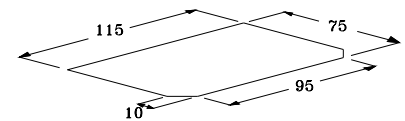
4105 close fireplaces



Front view 4105



Side view 4005/4105

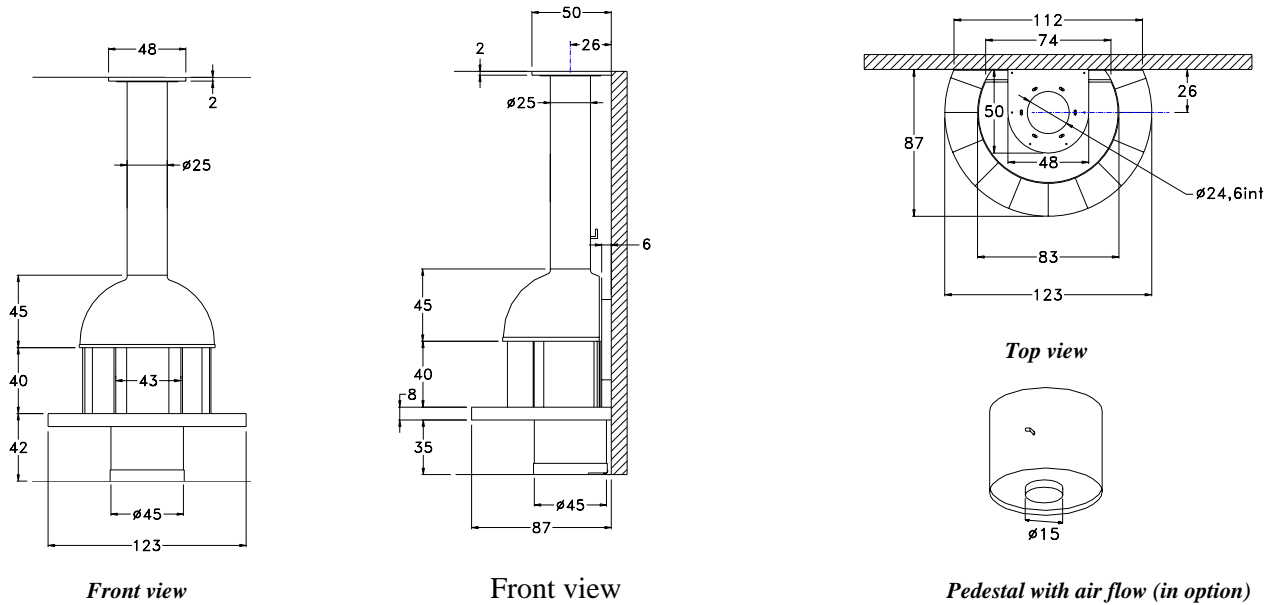


Floor plate

THE WAAL-MOUNTED FIREPLACES

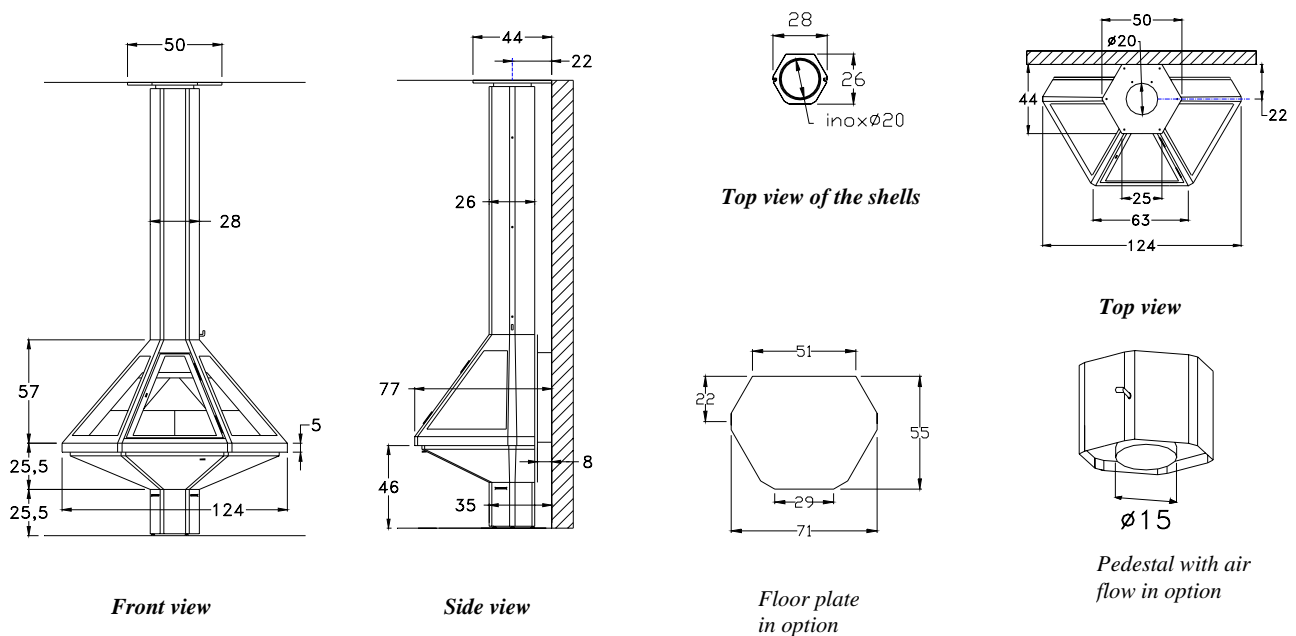
Model 8300

These model offer a fire view to more than 180°. The dome is suspended on the ceiling and fixed on the wall the table is placed on a pedestal (pedestal with air flow in option). The height is made to measure. The fireplace is equipped with two lateral windows and a front sliding window.



Model 9300

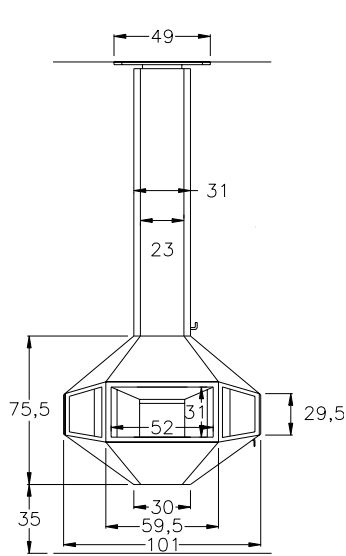
The model 9300 is fixed to the wall with brackets and rests on a pedestal (pedestal with air-supply is option). The stoves' double back (isolation) is standard equipment. The connection is made to measure (room height, adjustment to the flue) with a single-sided stainless tube. Ventilated shells cover the stainless tube. A ventilation space is provided between the ornamental tube and the ceiling plate. The stove is equipped with a glass door and 2 fixed windows.



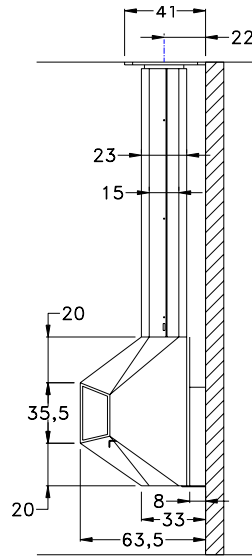
THE WAAL-MOUNTED AND CORNER FIREPLACES

Model 8170

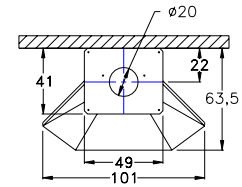
These corner models can also be placed onto a flat wall. They are equipped with a back insulation. The flues are made to measure along the height from the floor to the ceiling and are directly connected to the chimney with a stainless pipe placed inside the ventilated shells.



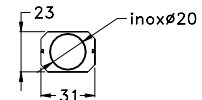
Front view 8170



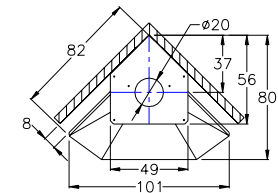
Side view 8170 mural



Top view 8170 wall version

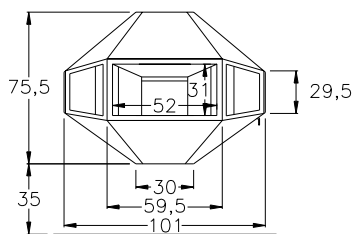


Top view of the shells

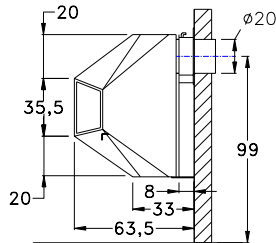


Top view 8170 Corner version

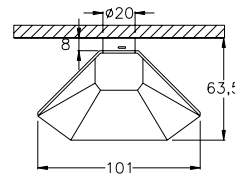
Model 8175



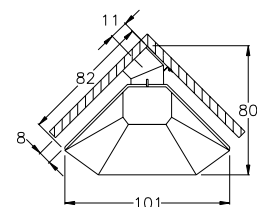
Front view 8175



Side view 8175 waal version

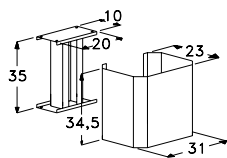


Top view 8170 wall version

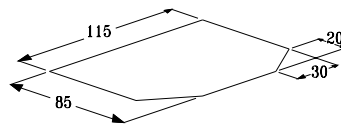


Top view 8175 corner version
(Elbow in option)

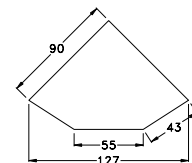
Accessories (in option)



Support and ornamental pedestal



floor plate for wall version

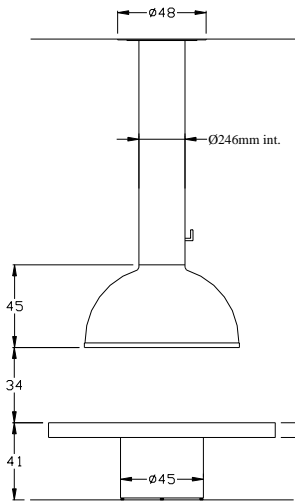


floor plate for corner version

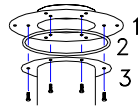
THE CENTRAL FIREPLACES

Models 83-123 O & 83-123 M

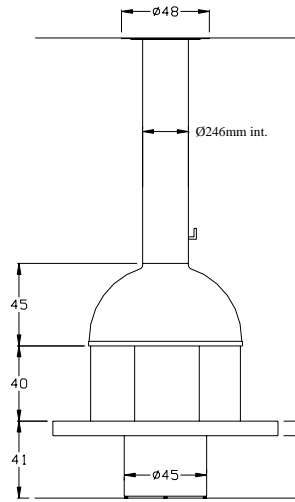
Two glass panels (bending windows) slides independently for the 83-123 M. They offer the possibility to leave the fireplace open on 180°. The centre of the table turns on 360° witch allows to orientate the open fireplace in every directions. The table is furnished with standard refractive stones.



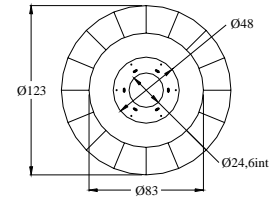
83-123 open



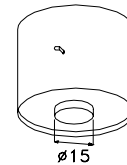
- 1 ceiling plate
- 2 insulation rope
- 3 flue



83-123 M



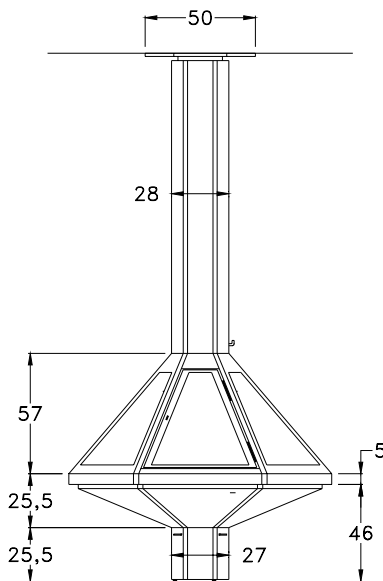
Top view



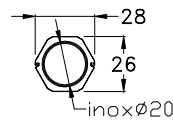
pedestal with air flow(in option)

Model 9600 C

Hexagonal model equipped with three fixed windows and three glazed doors with allows an easy access to the fire. This fireplace is equipped with a stainless pipe inside the decorative and ventilated shells. A ventilation gap is made between the decorative shells and the ceiling plate.

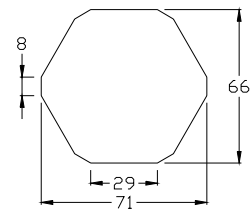


Front view

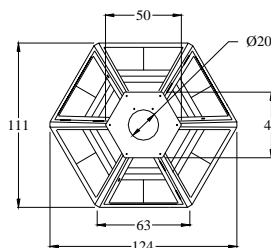


Top view of the shells

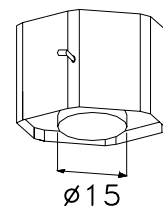
Options



Floor plate



Top view



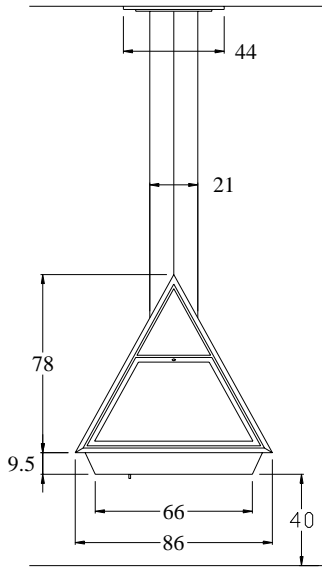
pedestal with air flow

THE CENTRAL FIREPLACES

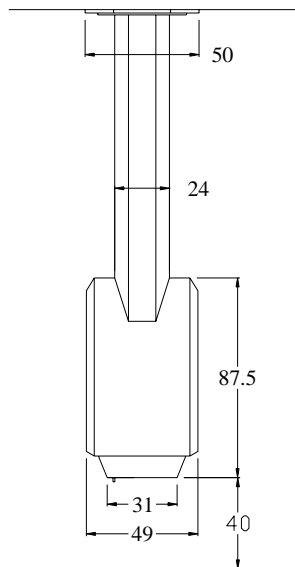
Models 4600

These central models are suspended on the ceiling. They are equipped with two glazed doors. The flue is made to measure along the height from the floor to the ceiling. Available in two version : Fixed or Rotative on 360°

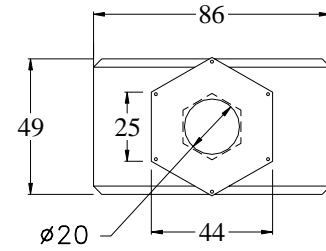
Fixed version



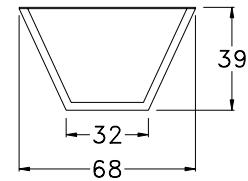
Front view



Side view



Top view

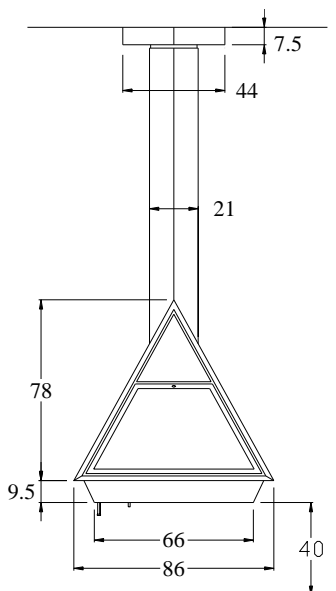


Pedestal with wood basket

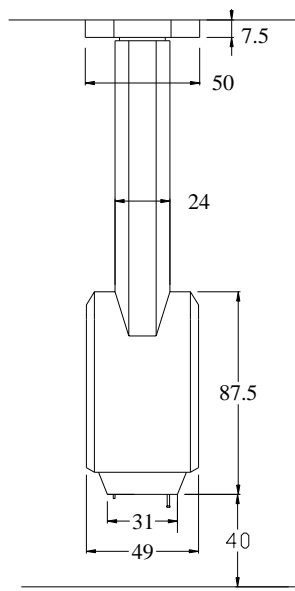
Nota : When the ceiling is not strong enough the fireplace can be placed onto a pedestal with wood basket (in option)

Rotative version (360°)

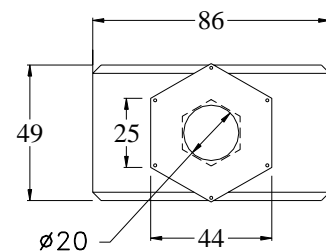
The mechanism is integrated into the ceiling plate and do not necessitate any maintenance. This mechanism allows to orientate the fireplace in any directions.



Front view



Side view

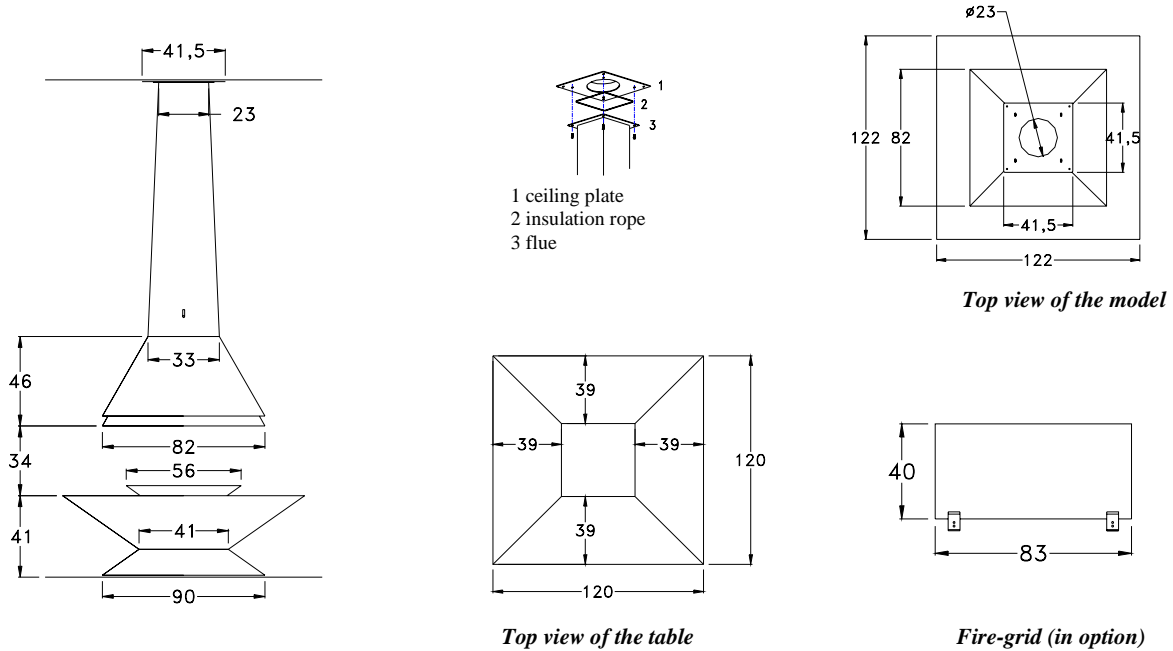


Top view

THE CENTRAL FIREPLACES

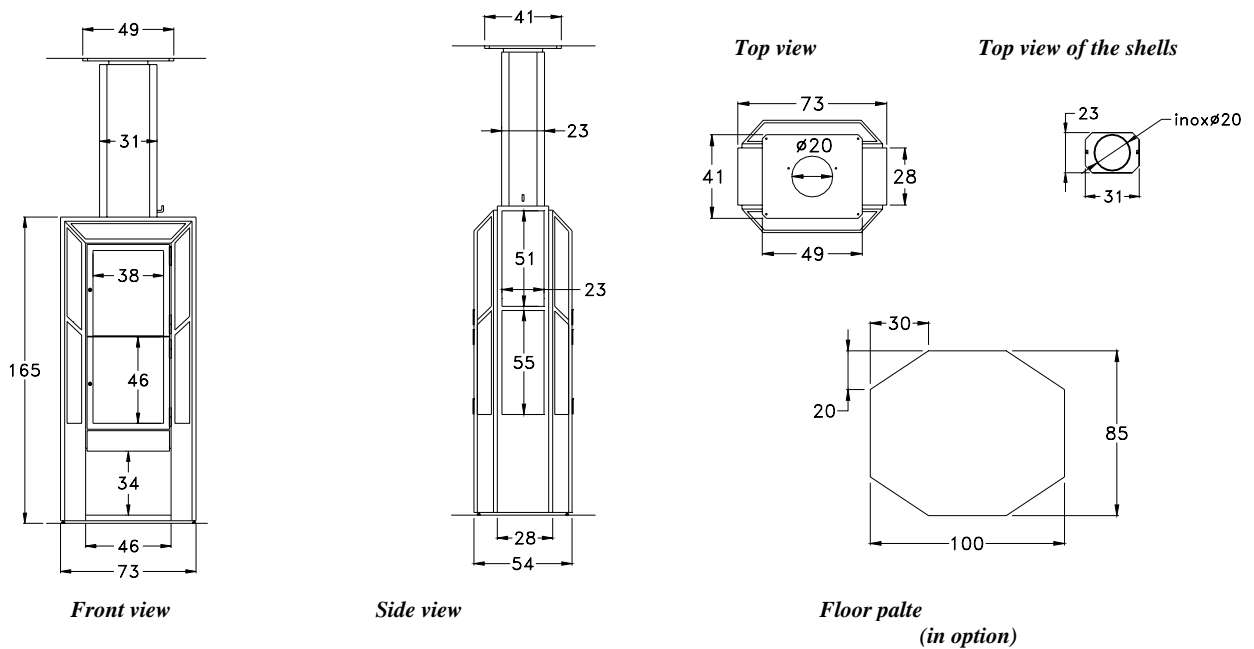
Model 9120 C

Four sides open fireplace. 4 fire-grids in vitro ceramic in option. The table is furnished without tiles !



Model 316S/4

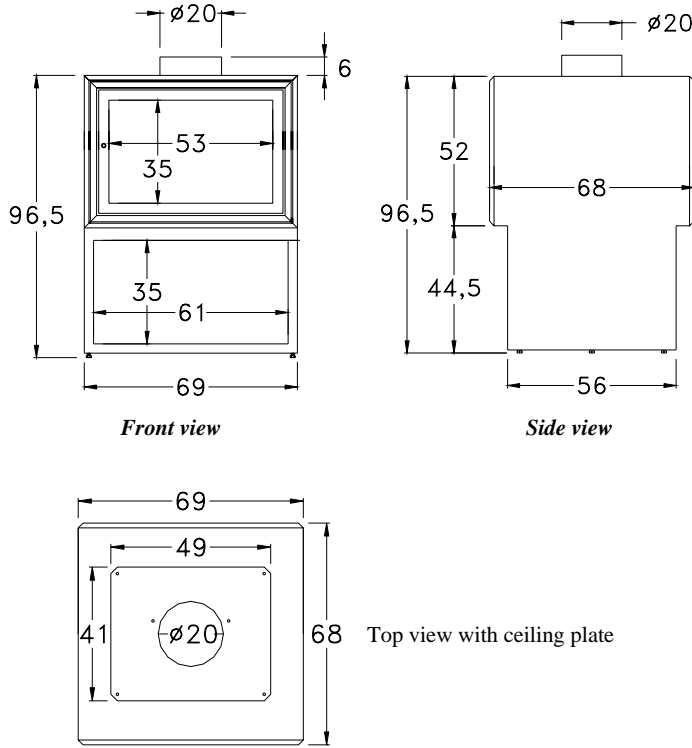
Glazed column on 4 sides. Equipped with two front and back doors allowing an easy access to the whole fireplace. The fireplace is furnished with a stainless pipe inside the ventilated shells. A ventilated space is given between the ceiling plate and the top of the decorative shells.



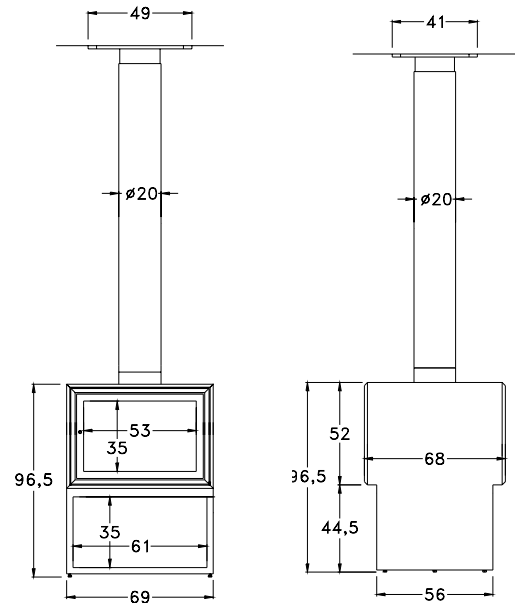
THE CENTRAL FIREPLACES

Model 69-52/2 (double glazed) Loft Version

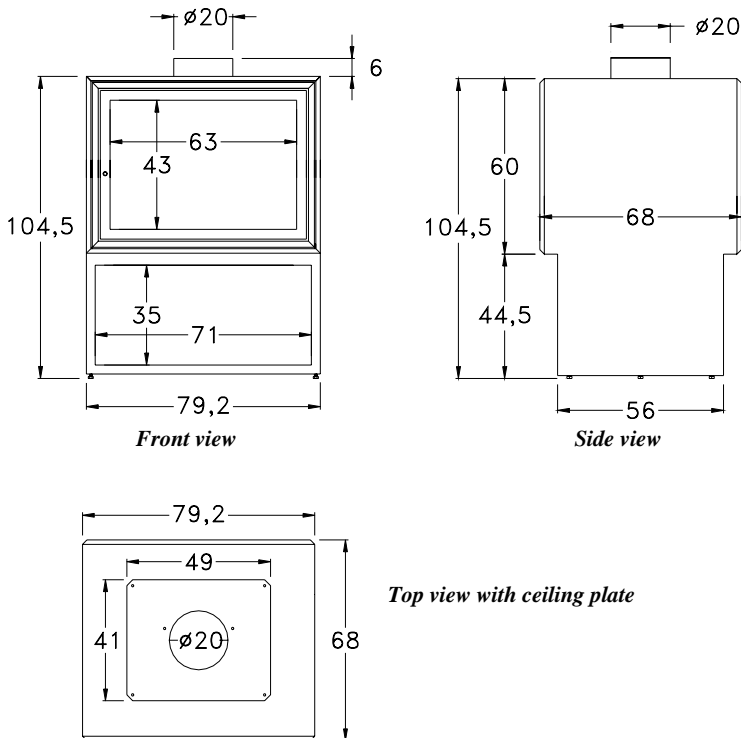
The double glazed versio Loft do not necessitate any covering. They are equipped with two lateral doors and a pedestal with a wood basket.
 In option : Ceiling plate and steel pipe realised to measure along the height floor to ceiling.



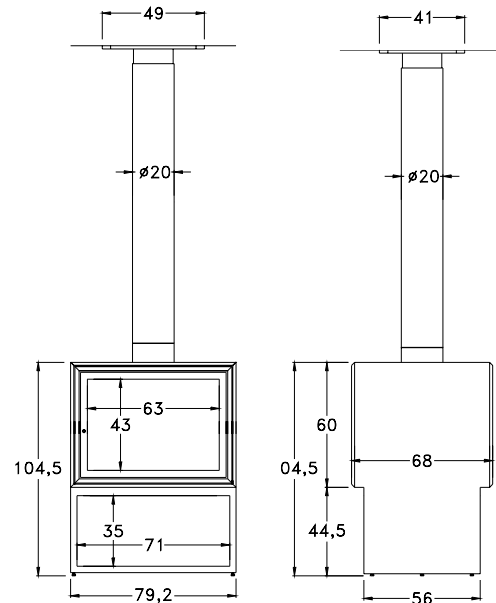
Ceiling plate and steel pipe (in option)



Model 80-60/2 (double glazed) Version Loft



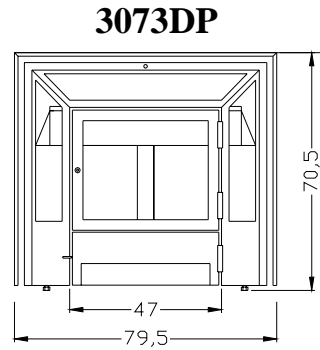
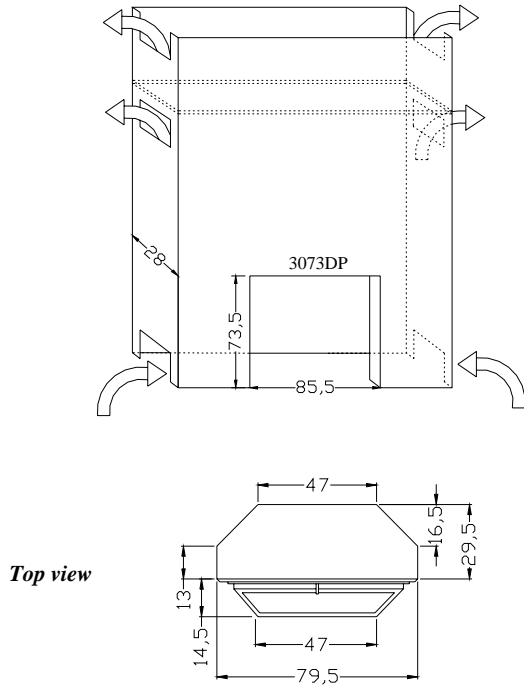
Ceiling plate and steel pipe (in option)



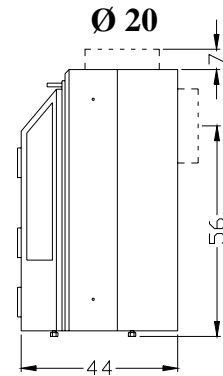
THE BUILD-IN FIREPLACES

Model 3073DP, double panel

These models may be built-in or stand alone. The double side decreases the radiation through the back and sides, while convection is increasing. If the fireplace is built-in, the chimney needs at least one opening for ventilation. The stove must not touch the brickwork. Depending on the nature of the wall and the ornamental frame, an opening from 1 to 5 cm must be left around the fireplace.

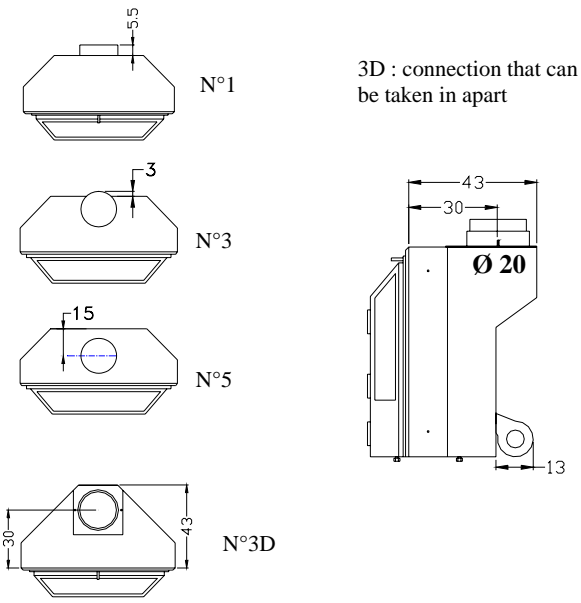


Front view



Side view

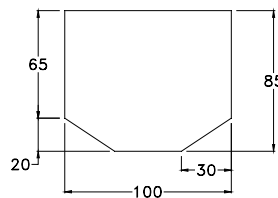
Connection of the flue



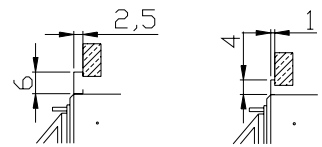
3D : connection that can be taken in apart

Options

Floor plate



Type of frames

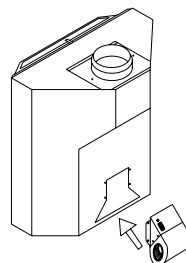


Classic 6 cm

4 cm 1 fold

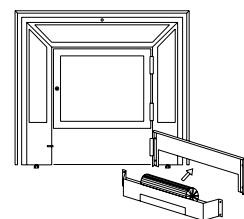
Fan at the back

For any double panel models. Provide at least 15 cm between the back of the appliance and the wall. Regulation with a 3 positions switch.



Fan in front

For the models 3073DP and P3073DP. Regulation with dimmer switch.



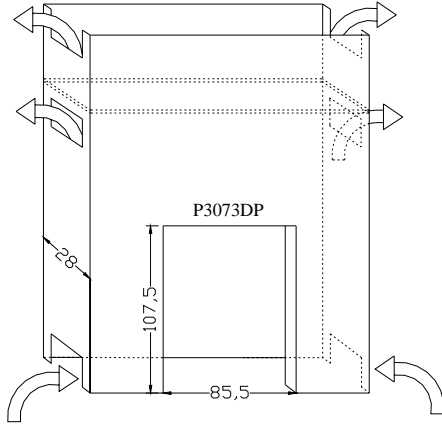
In option : octagonal flue (see 3168/4) with stainless pipe inside for the model with exit N°5, not build-in.



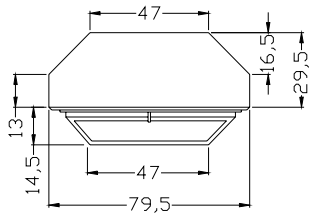
THE BUILD-IN FIREPLACES

Model P3073DP, double panel

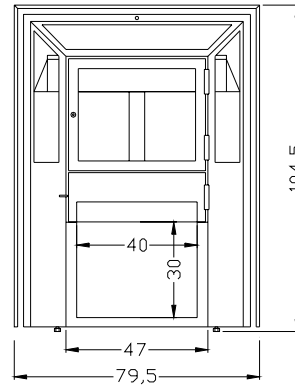
These models may be built-in or stand alone. The double side decreases the radiation through the back and sides, while convection is increasing. If the fireplace is built-in, the chimney needs at least one opening for ventilation. The stove must not touch the brickwork. Depending on the nature of the wall and the ornamental frame, an opening from 1 to 5 cm must be left around the fireplace..



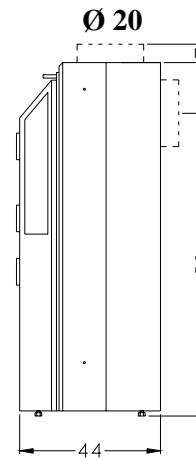
Top view



P3073DP

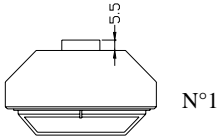


Front view



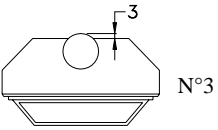
Side view

Connection to the flue

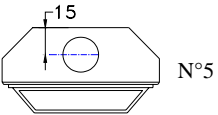


N°1

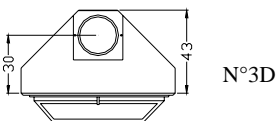
3D : connection that can be taken in apart



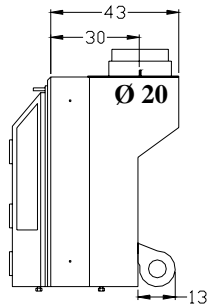
N°3



N°5

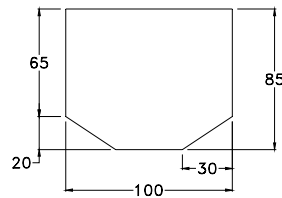


N°3D

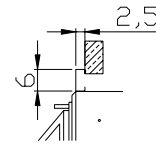


Options (idem 3073DP)

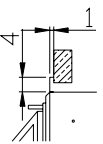
Floor plate



Types of frame



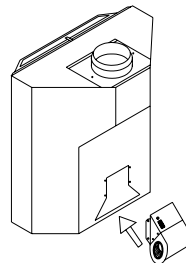
Classic 6 cm



4 cm 1 fold

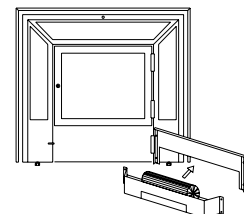
Fan at the back

For any double panel models. Provide at least 15 cm between the back of the appliance and the wall. Regulation with a 3 positions switch



Fan in front

For the models 3073DP and P3073DP. Regulation with dimmer switch.

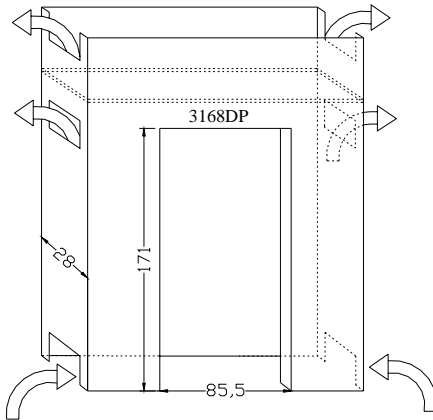


In option : octagonal flue (see 3168/4) with stainless pipe inside for the model with exit N°5, not build-in..

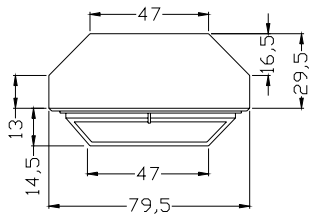
THE BUILD-IN FIREPLACES

Model 3168DP, double panel

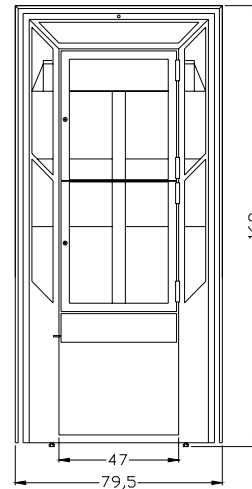
These models may be built-in or stand alone. The double side decreases the radiation through the back and sides, while convection is increasing. If the fireplace is built-in, the chimney needs at least one opening for ventilation. The stove must not touch the brickwork. Depending on the nature of the wall and the ornamental frame, an opening from 1 to 5 cm must be left around the fireplace.



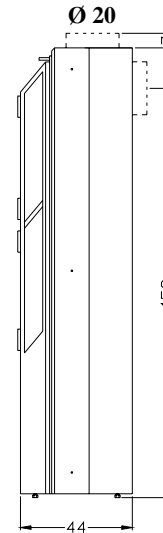
Top view



3168DP

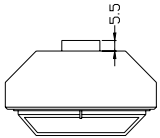


Front view



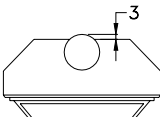
Side view

Connection to the flue

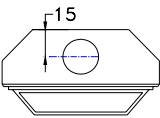


N°1

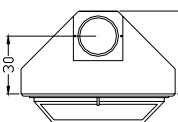
3D : connection that can be taken apart



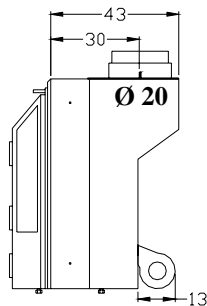
N°3



N°5

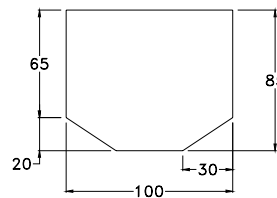


N°3D

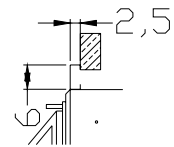


Options

Floor plate

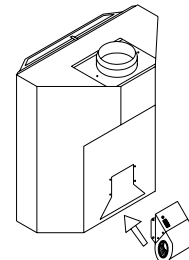


Classic frame 6 cm



Fan at the back

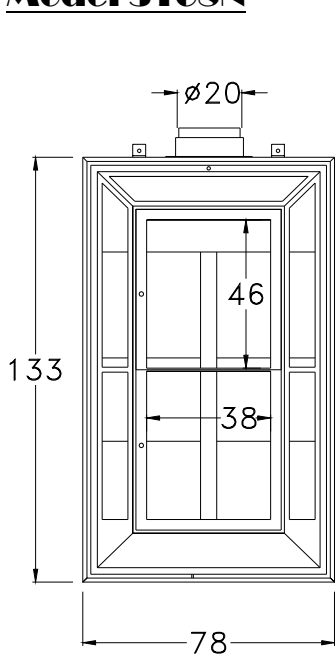
For any double panel models. Provide at least 15 cm between the back of the appliance and the wall. Regulation with a 3 positions switch.



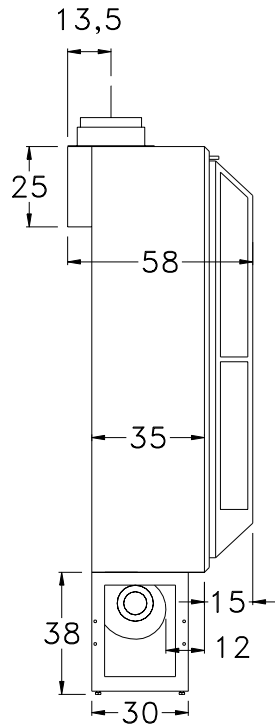
In option : octagonal flue (see 3168/4) with stainless pipe inside for the model with exit N°5, not build-in.

THE BUILD-IN FIREPLACES

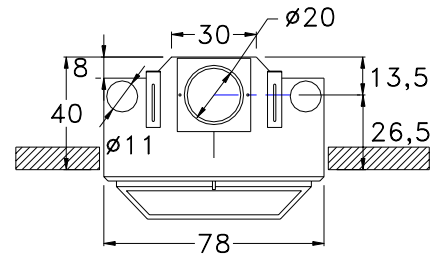
Model 3168N



Front view

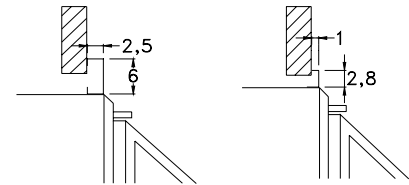


Side view with pedestal and fan (in option)



Top view

Types de cadres (en option)

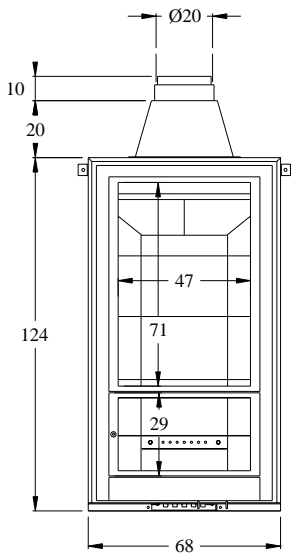


Classic 6 cm

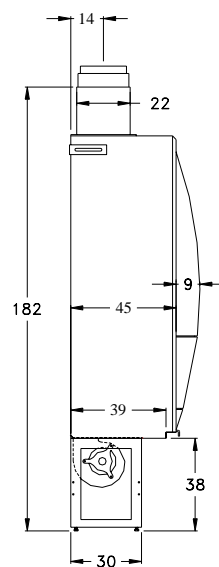
28 mm 1 fold

Model 2001

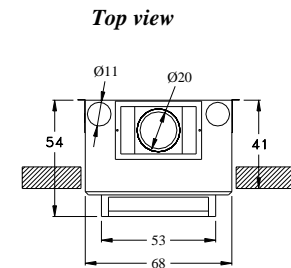
This model is equipped with with a large bended windowand a smal flat window under for loading. This appliance benefits of all the advantages of a Don-Bar fireplace convection possibility to vent warm air in an other room... In option : pedestal, fan and choice of decorative frame.



Front view

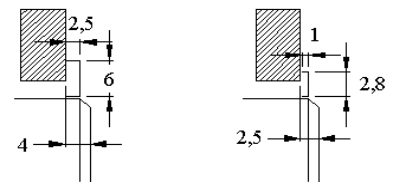


Side view
With pedestal and fan in option



Top view

Types of frame in option



Classic 6 cm

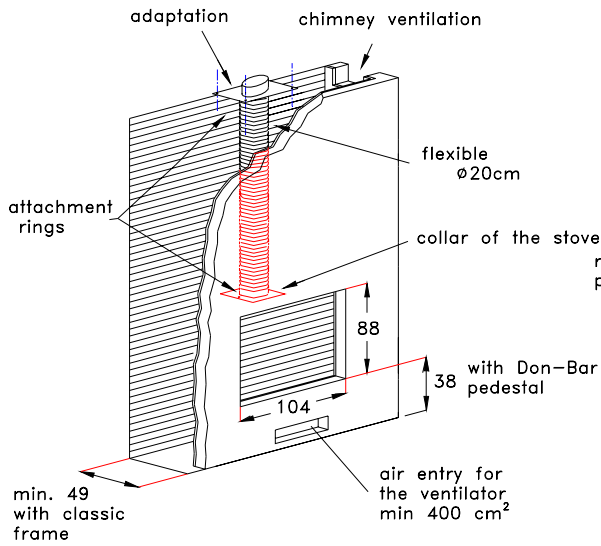
28 mm 1 fold

THE BUILD-IN FIREPLACES

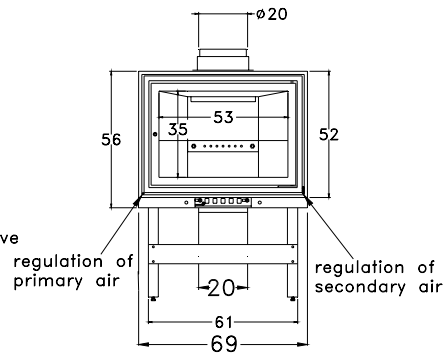
The DON-BAR fireplaces are placed in an existing chimney or covered brickwork. Their caloric output is very high. The warmth is distributed through the large ceramic window while the warm air, circulating between the double sides, flows into the room. The primary airflow via the underside of the stove may be regulated with high precision. On option, a powerful and low noise ventilator with 4 speeds may be placed under the stove which improves further the caloric output. If required the warmth may be distributed through a system of aluminium tubes into other rooms. A range of ornamental frames is available for the finishing touch.

Model 69-52

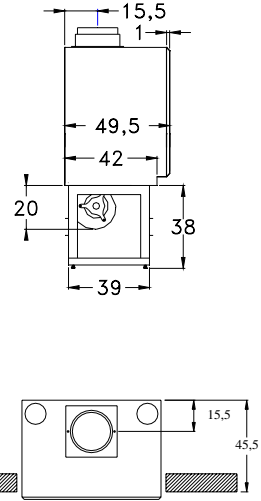
Covering of the 69-52



Front view



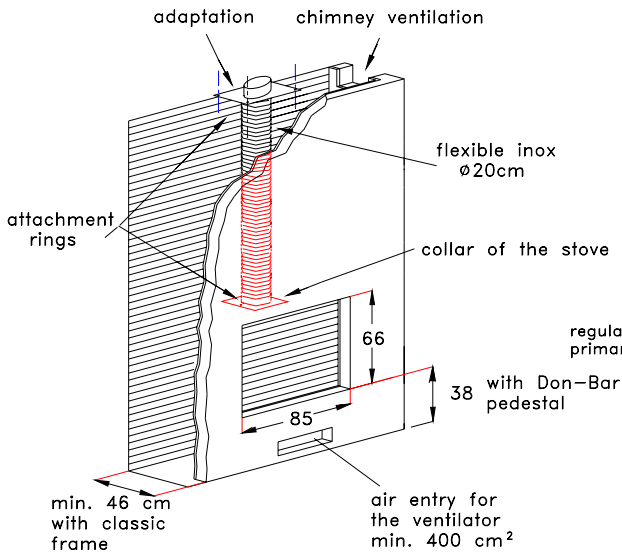
Side view with Pedestal and fan (in option)



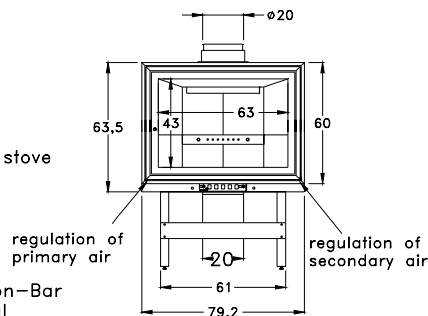
Top view

Model 80-60

Covering of the 80-60

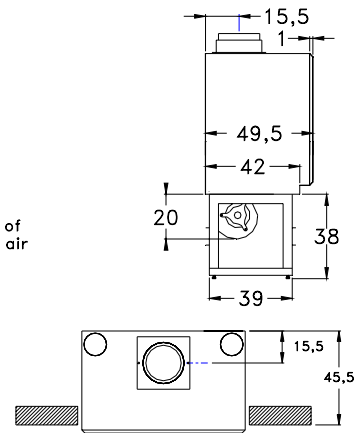


Front view



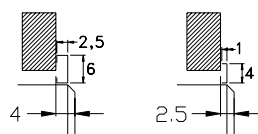
Side view with Pedestal and fan in option

Pedestal and fan (en option)



Top view

Types of frame 69-52 and 80-60



Classic 6 cm

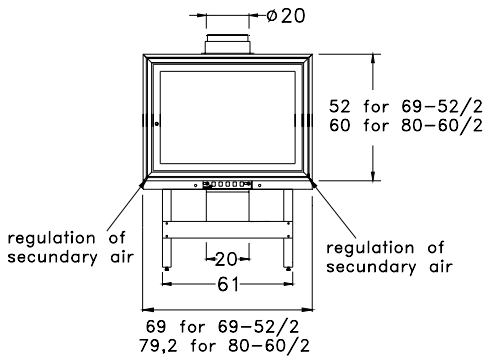
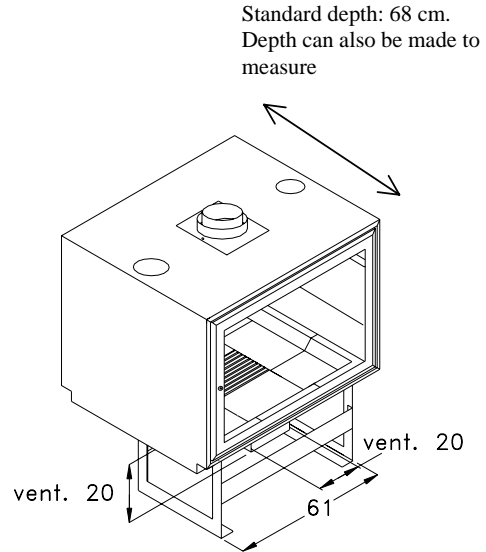
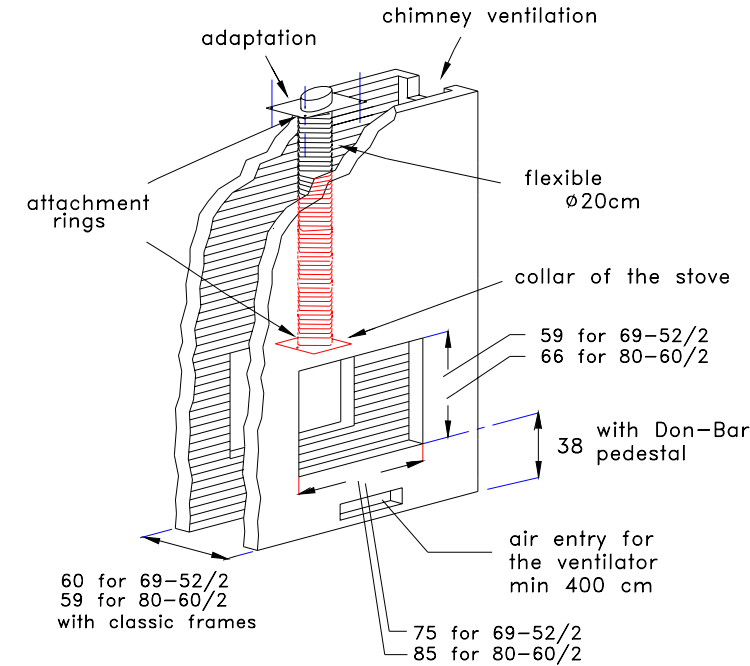
4 cm 1 fold

THE DOUBLE GLAZED BUILT-IN FIREPLACES

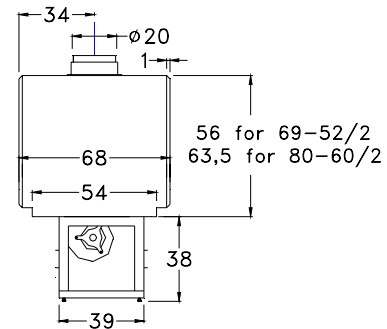
Models 69-52/2 & 80-60/2

The standard depth of the double faced models is 680 mm. This dimension may also be made to measure (min 600 mm glass to glass to 1110 mm). The warm air is diffused through both faces of the stove. In option : pedestal, fan and choice of decorative frames.

Habillage des encastrables double face

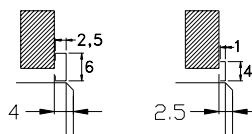


Front view



Side view with pedestal and fan in option

Types of frame 69-59/2 and 80-60/2

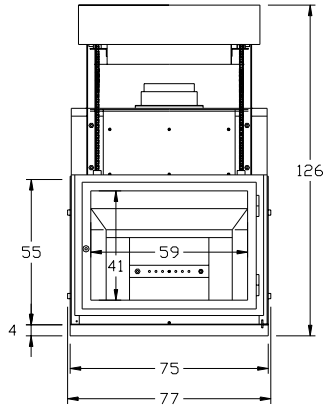


Classic 6 cm 4 cm1 fold

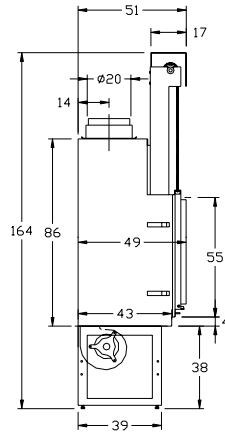
THE BUILD-IN FIREPLACES WITH LIFTING DOOR

The models 75-55 and 85-65 have a sliding door. The door also opens outward for loading and maintenance. These stoves combine the coziness of a traditional open fire with a high caloric output and the total security of a closed stove. A powerful low-noise ventilator to increase the warmth output is optional. All parts, including the sliding system are accessible from the inside of the stove. A choice of ornamental frames, provides a perfect finish.

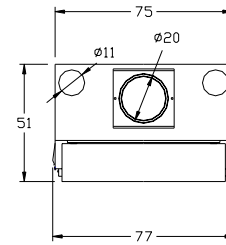
Model 75-55



Front view

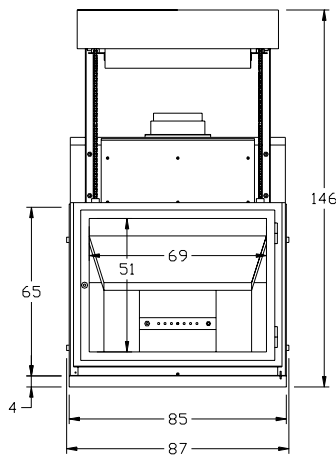


Side view with fan and pedestal in option

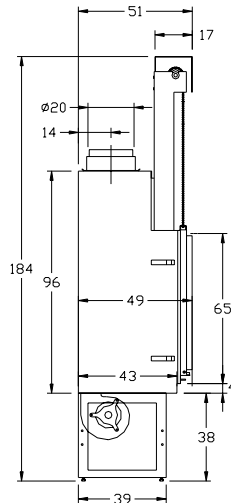


Top view

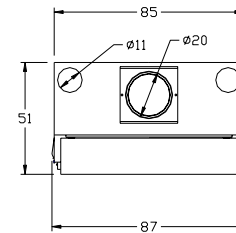
Modèle 85-65



Front view

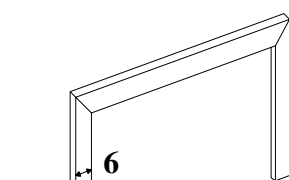


Side view with fan and pedestal in option

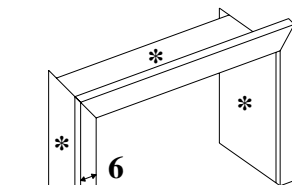


Top view

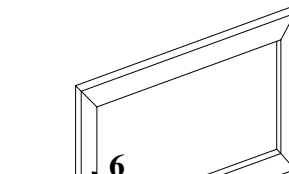
Frames for 75-55 et 85-65



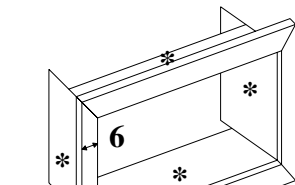
3 sides Classic



3 side with return
*To measure



4 sides Classic

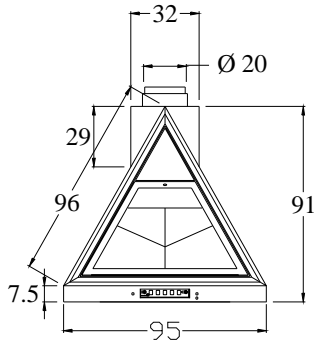


4 sides with return
*To measure

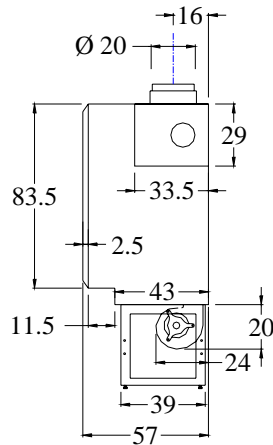
THE BUILD-IN FIREPLACES

Model 4200

Exclusive design for this three corner build-in appliance. It benefits of all the advantages of the Don-Bar build-in appliances. Convection, possibility to bring warm air in a secondary room thanks to aluminium flues connected to the convection panel. In option : pedestal, fan and choice of decorative frames.

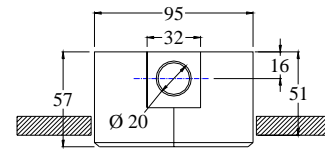


Front view

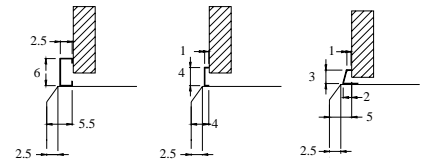


*side view with
Pedestal and fan
(in option)*

Top view



Frames type



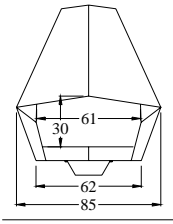
*Classic 6 cm 4 cm 1 fold brushed stainless
3 cm*

Accessories for build-in appliances : go to p.27

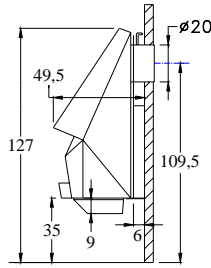
THE SUSPENDED OPEN FIREPLACES

These suspended fireplaces are attached to the wall with brackets. The height of the tube and connection to the flue are made to measure. The stoves' standard equipment consists of a double back and a fine-barred spark grid.

Model 5005

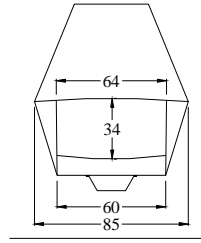


Front view

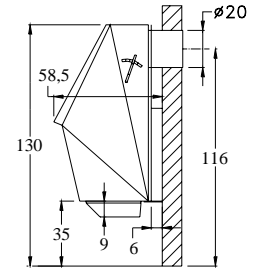


Side view

Model 7005

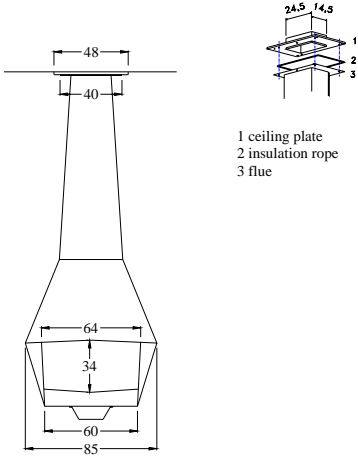


Front view

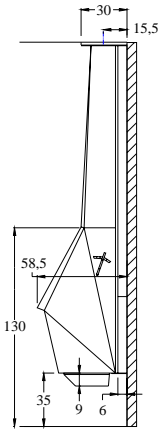


Side view

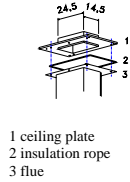
Model 7007



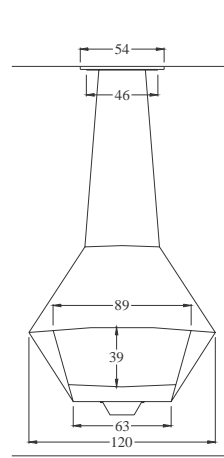
Front view



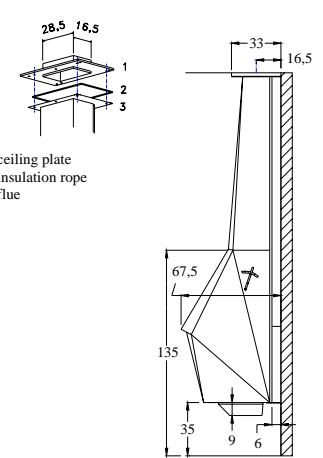
Side view



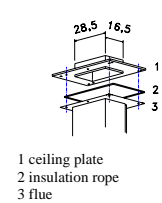
Model 7120



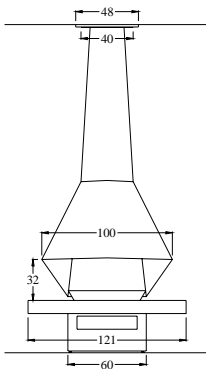
Front view



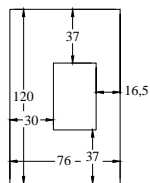
Side view



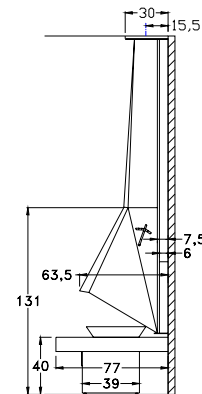
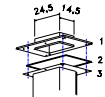
Model 7100



Front view



Top view of the table

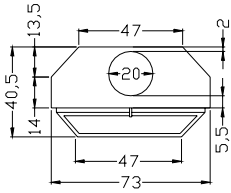


Side view

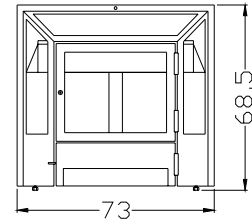
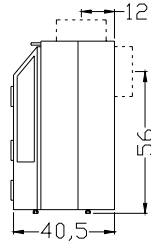
THE STOVES

SERIAL 3000 SINGLE PANEL

These model are made to be placed in front of a wall.



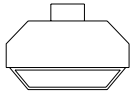
Top view



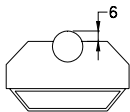
3073

Smoke exit

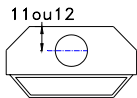
N°1



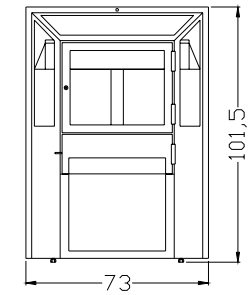
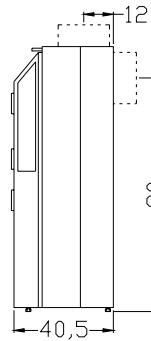
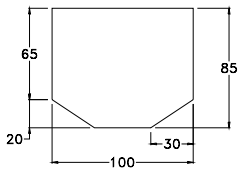
N°3



N°5

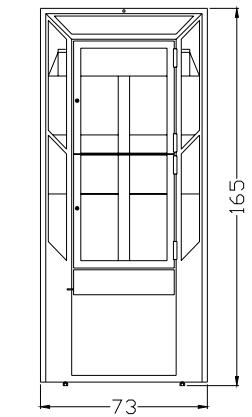
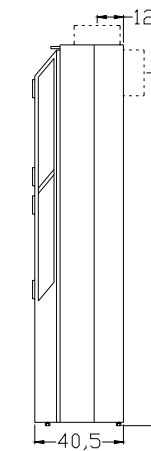


Floor plate in option



P3073

3168



Side views

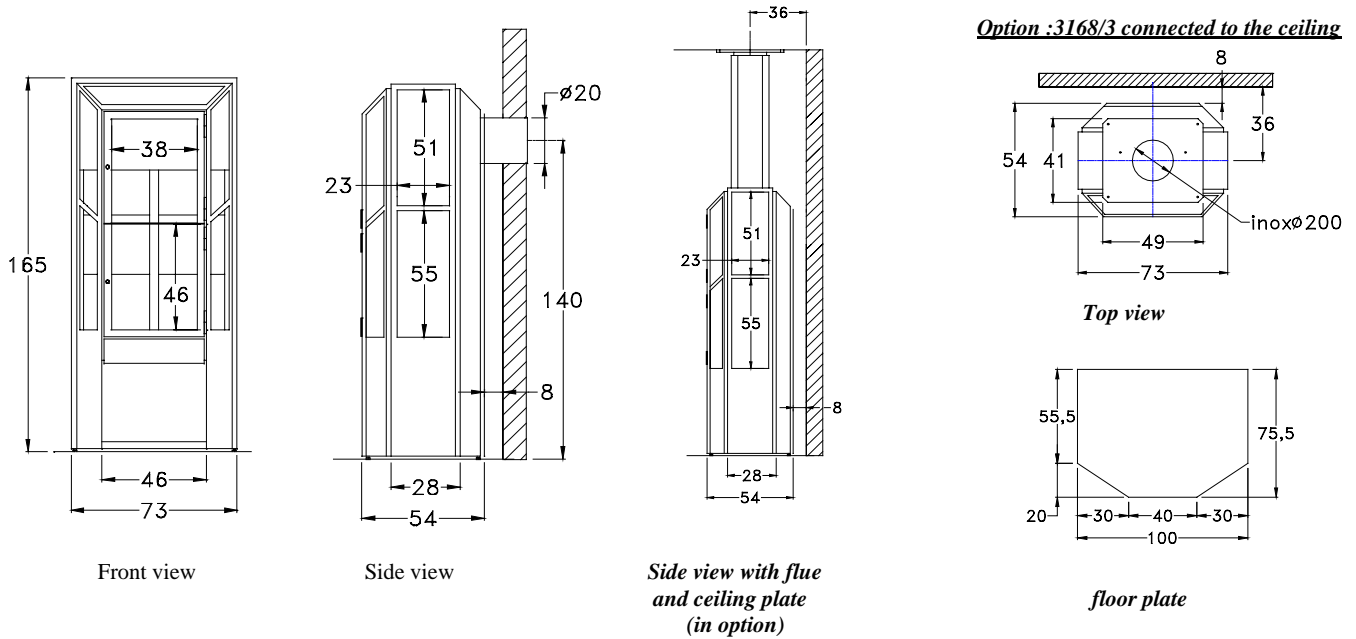
Front views

In option : octagonal flue (see 3168/4) with stainless flue inside the decorative ventilated shells with top flue N°5.

THE STOVES

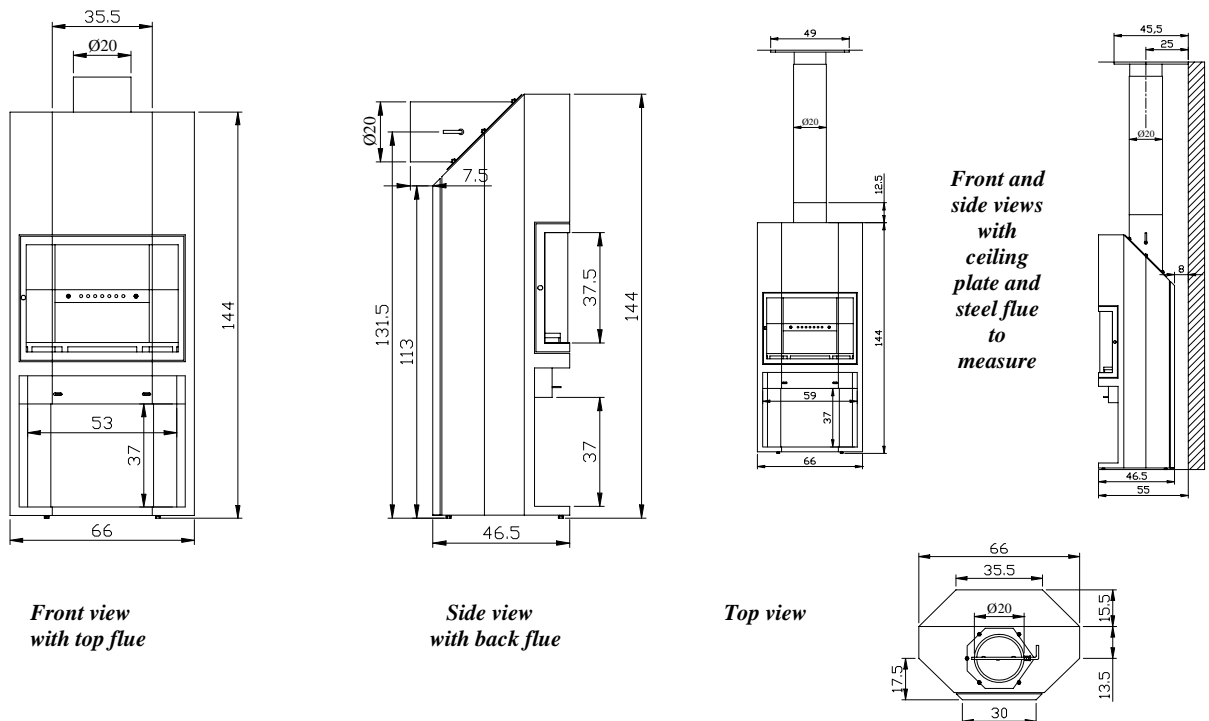
Model 3168/3

This fireplace is made to be placed in front of a wall and offer a wide fire view (180 °). It is equipped with two glazed doors and a secondary panel behind for the insulation . This appliance can be connected vertically to the chimney with a stainless flue placed inside the decorative ventilated shell (in option).



Model 6900

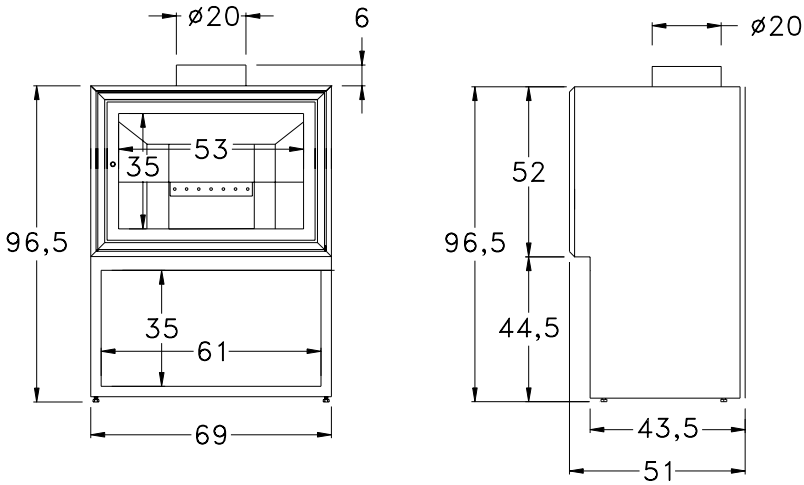
The prismatic window of the model 6900 offer a panoramic view of the flames. The air flows perfectly adjustable and the inside decoration in refractive stones enhance it's efficiency. The top flue can be switch into a back flue easily. Ceiling plate and steel flue to measure in option.



THE STOVES - SERIAL LOFT

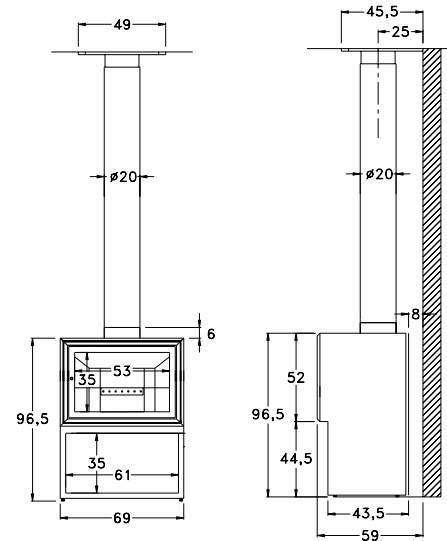
Model 69-52 single face –Loft Version

Flue and ceiling plate in option



Front view

Side view

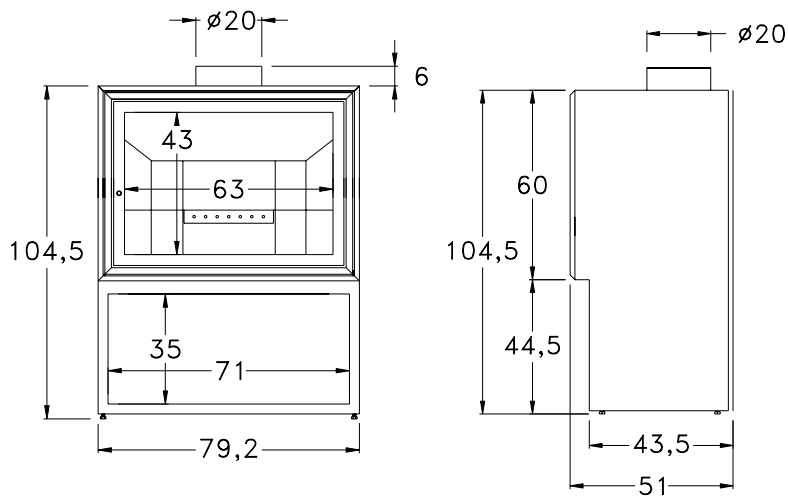


Front view

Side view

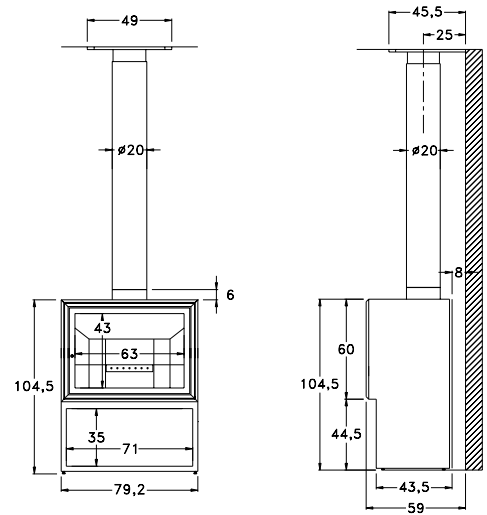
Model 80-60 single face –Loft Version

Buse et Platine (en option)



Front view

Side view



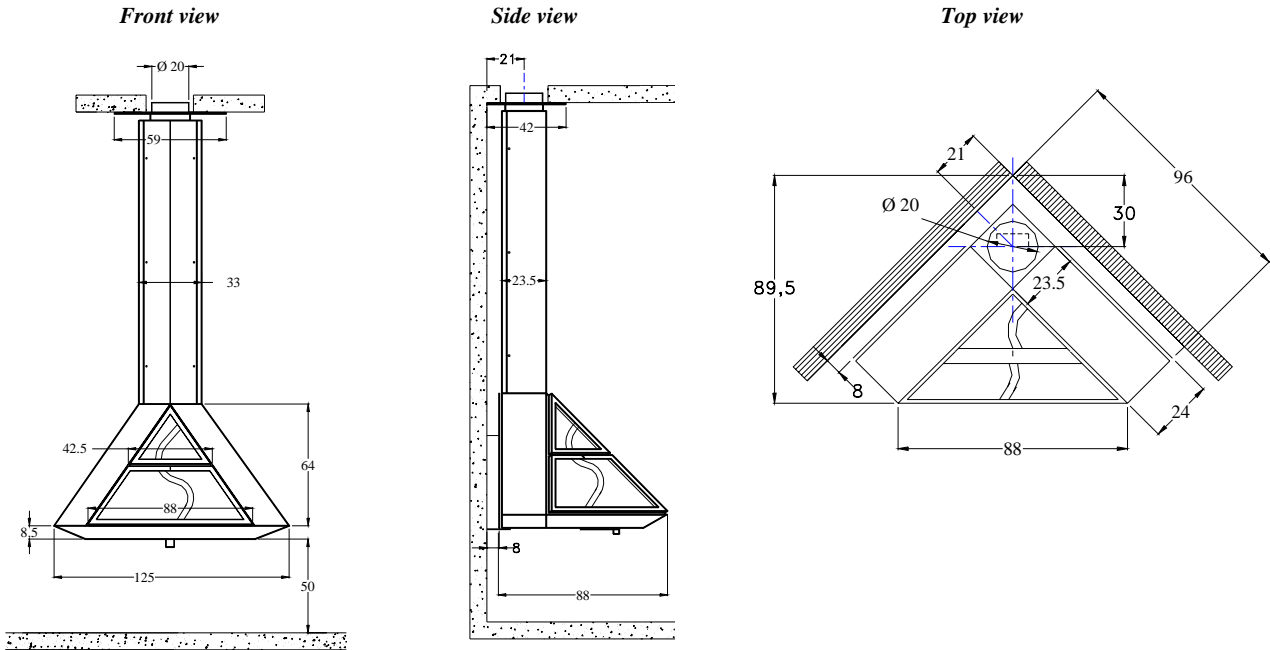
Front view

Side view

THE CORNER FIREPLACES

IZO

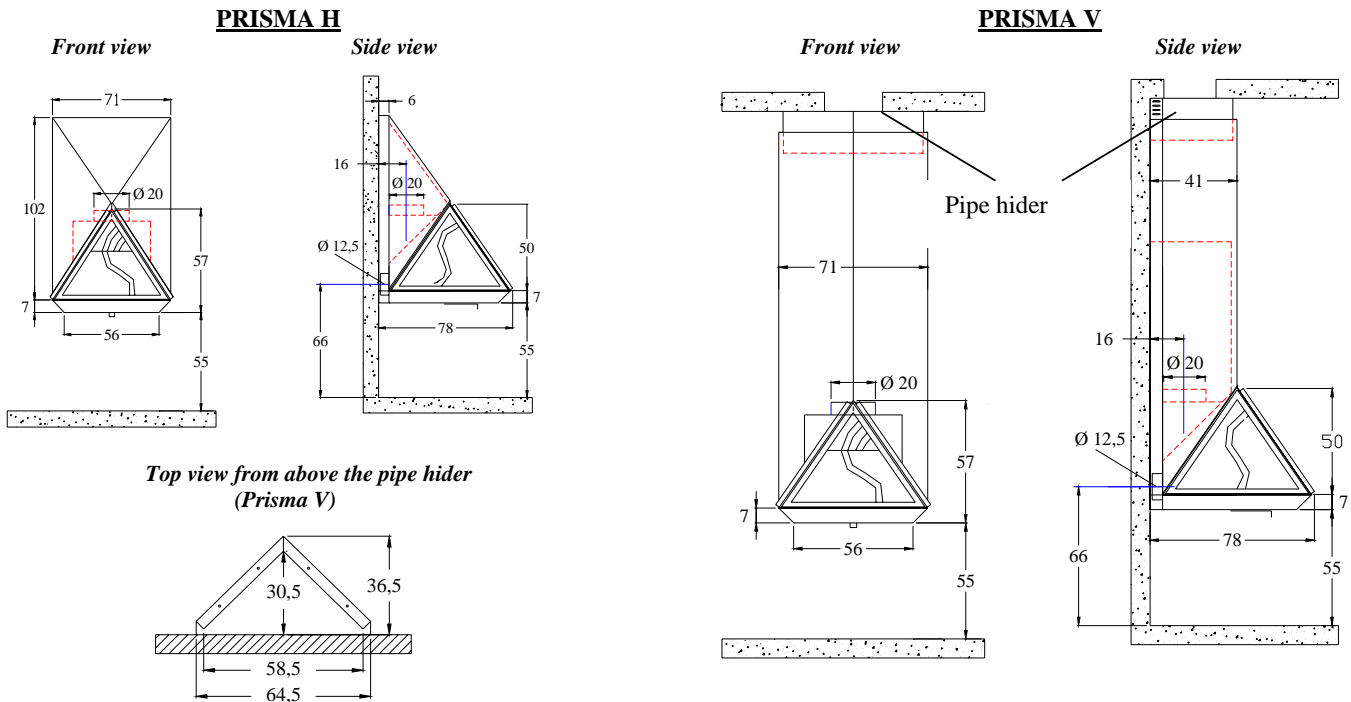
Corner fireplace suspended to a corner fixing component. One glazed front door. The flue and the connection are realised to measure along the height from the floor to the ceiling and along the position of the chimney. This fireplace is equipped with two sides panel than can be coloured in black titanium or RAL colours. The stainless flue inside the ventilated shells is included in the standard furnitures.



THE WALL-MOUNTED FIREPLACES

PRISMA

This fireplace gives you a view of 180°. The decorative shell can be painted in black, titanium or any RAL colour. There are two versions : PRISMA V, with the height made to measure along the height floor to ceiling. And the PRISMA H for a back connection. The stainless pipe and the adaptation piece are not included into the standard furniture.

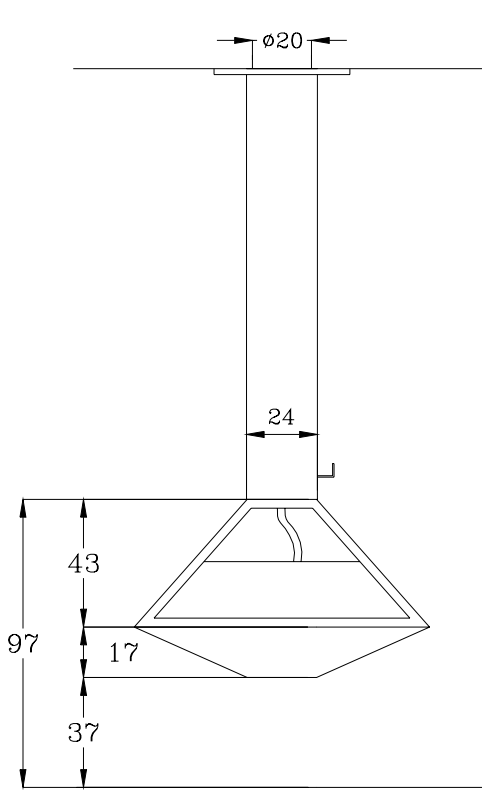




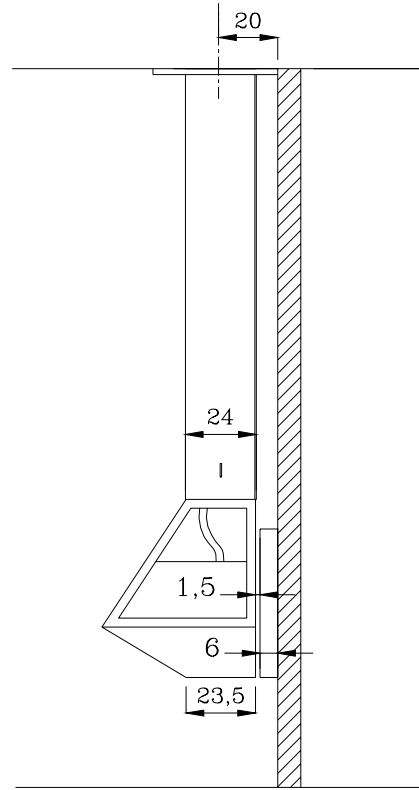
THE WALL-MOUNTED FIREPLACES

AERA

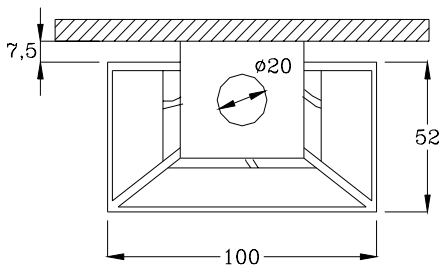
This open fireplace with a prismatic shape offers a view of 180°. The stainless pipe and the adaptation piece are not included into the standard furniture.



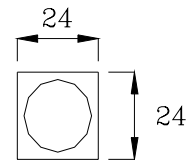
Front view



Side view



Top view



Section of the decorative shells

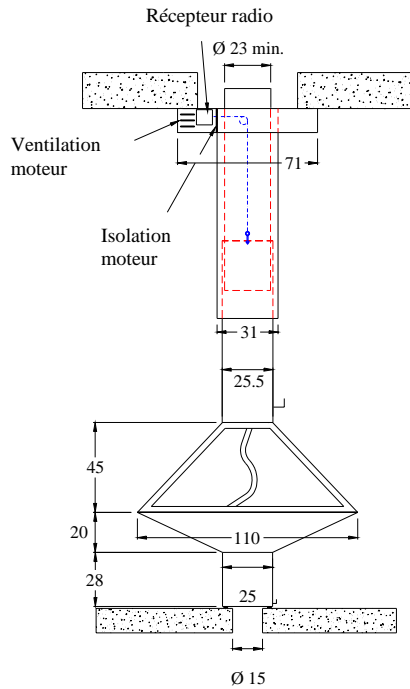
THE CENTRAL FIREPLACES

HOT

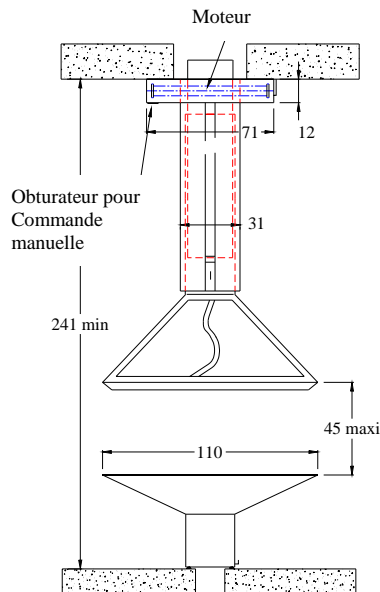
Central fireplace is glazed on its 4 sides. Composed by a table and a telescopic hood. The concept is motorized and controlled by switch. The ceiling plate with hanging system included. The flue is made to measure along the height floor to ceiling. The opening of 45 cm can be reached only if height from floor to ceiling is at least 241 cm. Remote control in option.

Patented model.

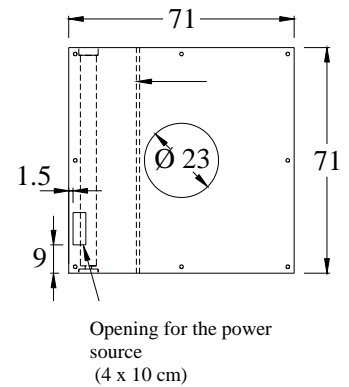
Telescopic version FRONT



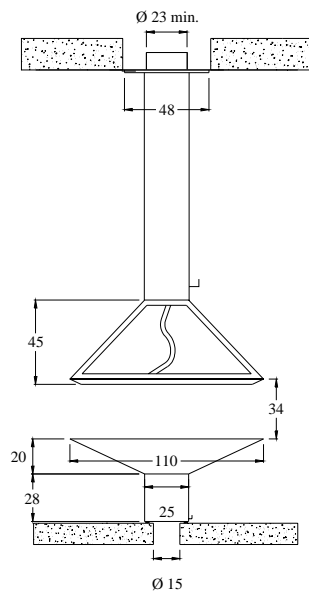
Telescopic version SIDE



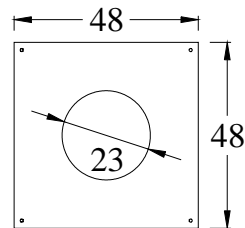
Top view from the ceiling plate (telescopic version)



Open version



Top view from the ceiling plate (open version)

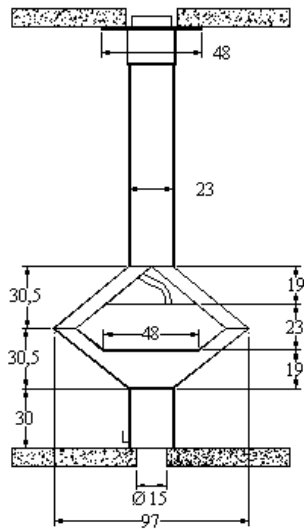


THE CENTRAL FIREPLACES

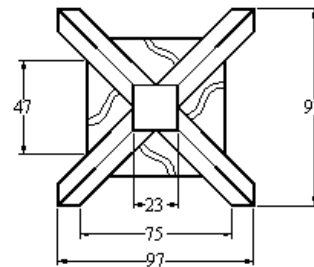
ORA

Central model placed onto the floor. The ceiling plate and the flue are included in the furniture. Four fixed windows in the above part. the flue is made to measure along the height from the floor to the ceiling.

Front view



Top view

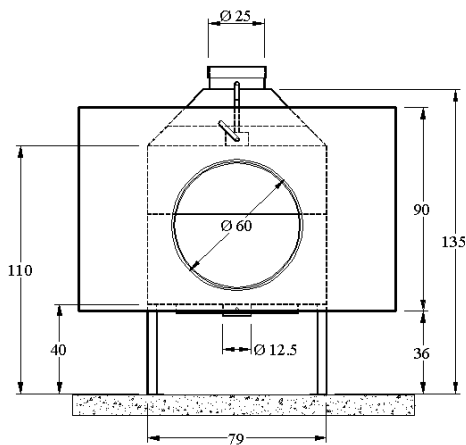


THE BUILD-IN FIREPLACES

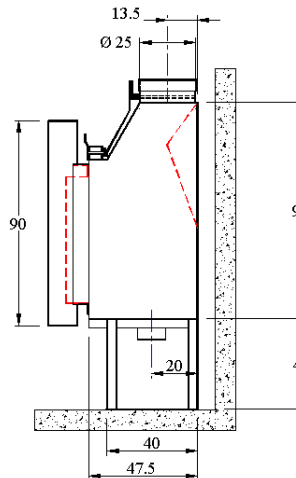
STIL

Build-in. Model with pedestal. The curved frame in steel is fixed to the fireplace structure. Several colours available. In option : glazed round door.

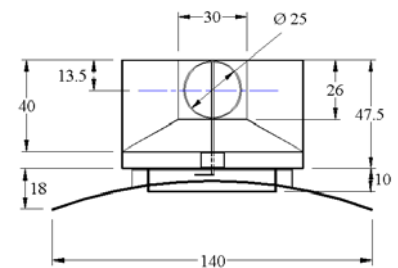
Front view



Side view



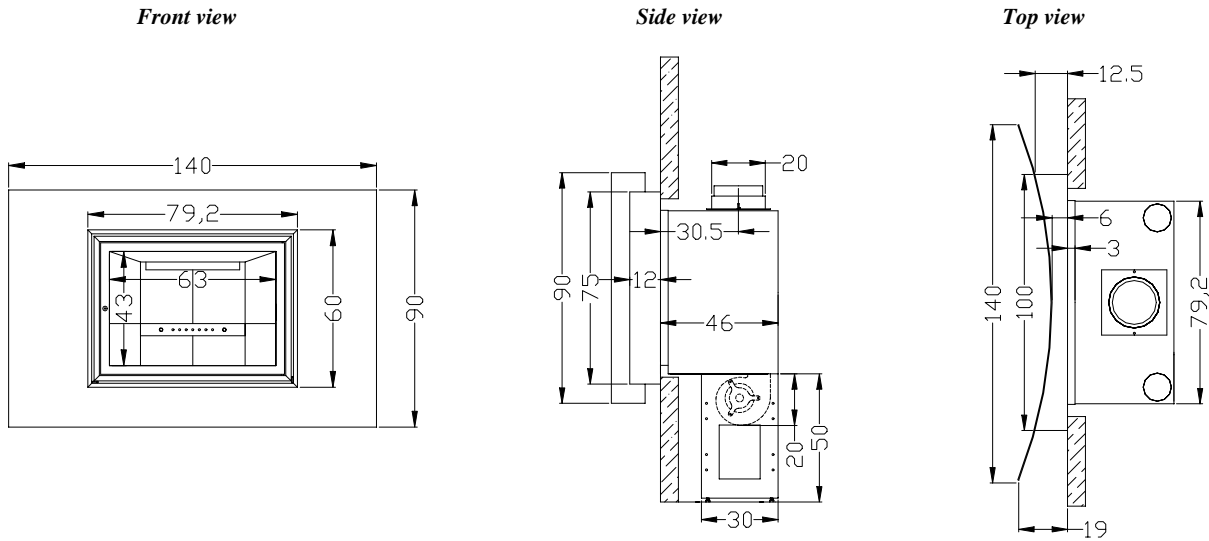
Top view



THE BUIL-IN FIREPLACES

SEDNA 140

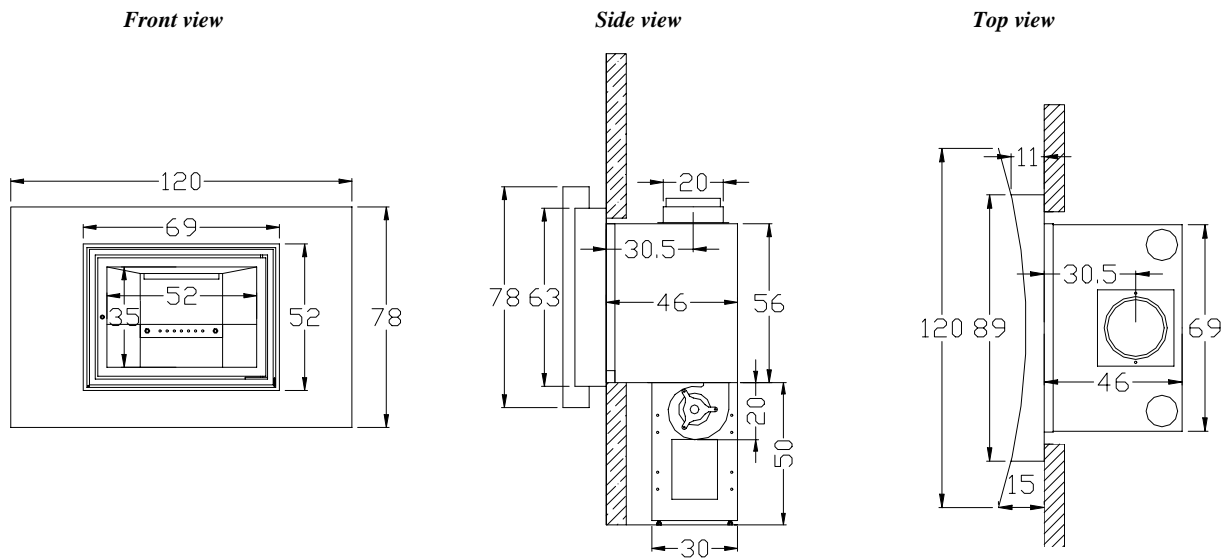
Build-in model composed by a 80-60 fireplace and a curved frame. This appliance has a very high efficiency. It is equipped with two air flows (primary and secondary). The inside decoration in refractive stones is a must. Fan, pedestal and curved door in option.



*Pedestal and fan
in option*

SEDNA 120

Build-in model composed by a 69-52 fireplace and a curved frame. This appliance has a very high efficiency. It is equipped with two air flows (primary and secondary). The inside decoration in refractive stones is a must. Fan, pedestal and curved door in option

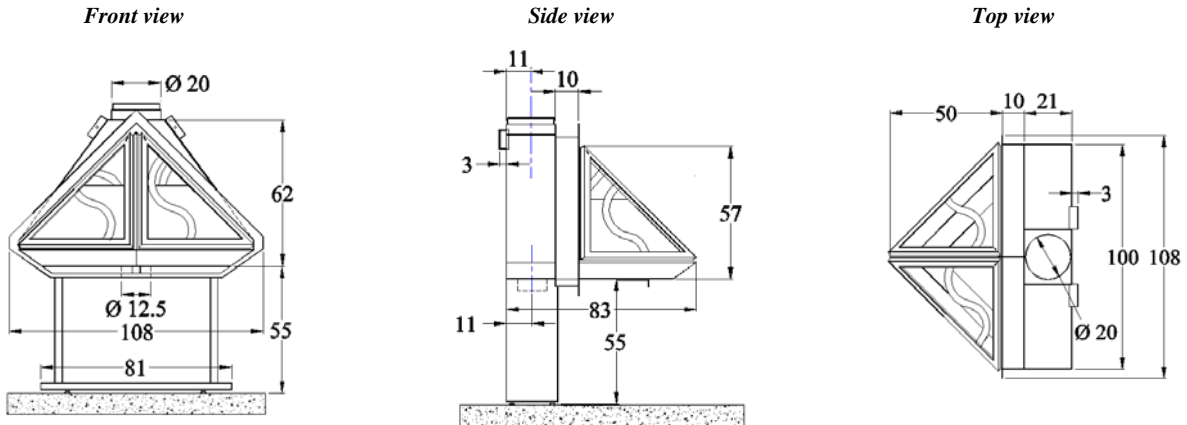


*Pedestal and fan
in option*

THE BUILD-IN FIREPLACES

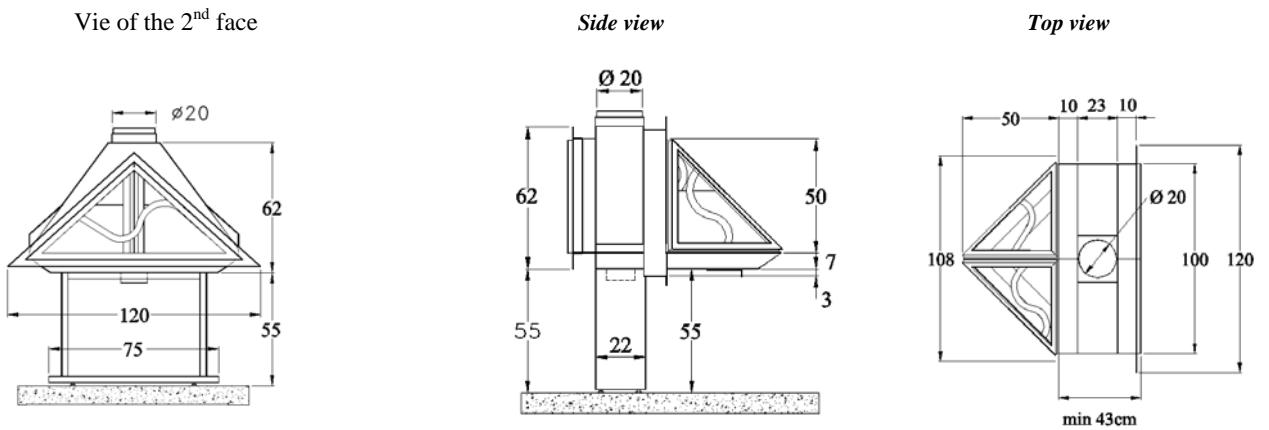
XAR

Build-in fireplace equipped with two glazed doors, the fireplace is fixed onto the back wall and rests onto a pedestal.



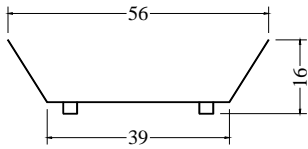
XAR DF

Same characteristics than model XAR but double sided. Available in three different depths. The second face is a three corner glazed door.



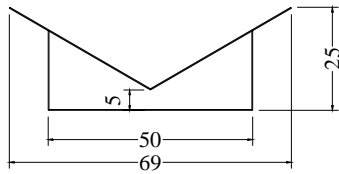
ACCESSORIES

Wood baskets



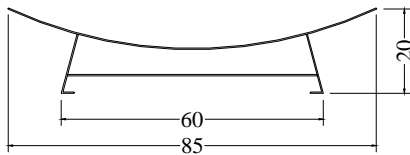
“U”

depth : 40 cm



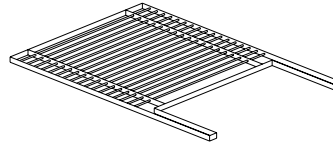
“V”

depth : 40 cm

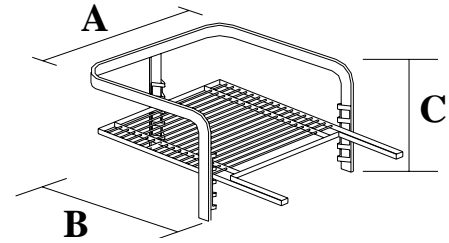


“JAL”

depth : 50 cm



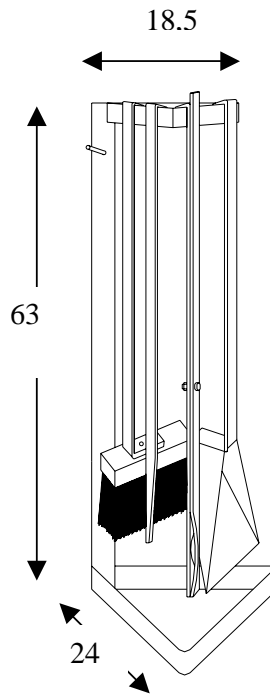
Barbecue



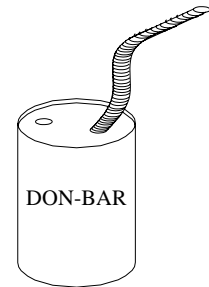
A B C

P21	43	30	27 cm
P25	47	36	30 cm
P50	58	36	30 cm

P21	Serial 3000 / Serial 4000 / 75-55 8170 / 8175 / 9600 / 9300 / 8300
P25	69-52 / 69-52/2 / 80-60/2 / 83-123
P50	80-60 / 85-65 / 98-78 / 7160



Companion set

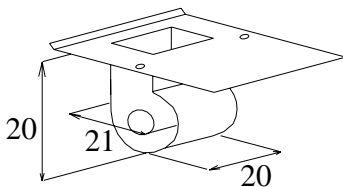


Ash-clean

ACCESSORIES FOR BUILD-IN APPLIANCES

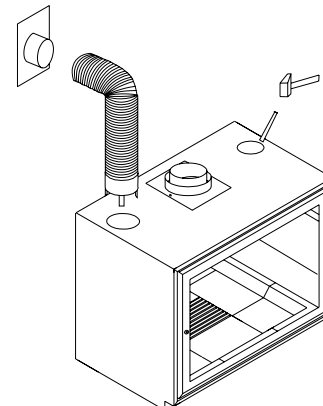
69-52 – 80-60 – 69-52/2 – 80-60/2 – 75-55 – 85-65 – 3168N – 2001 – 4200 - SEDNA

FAN



3 speeds
Power : 35 W – 48 W – 65 W

CONVECTION FLUE

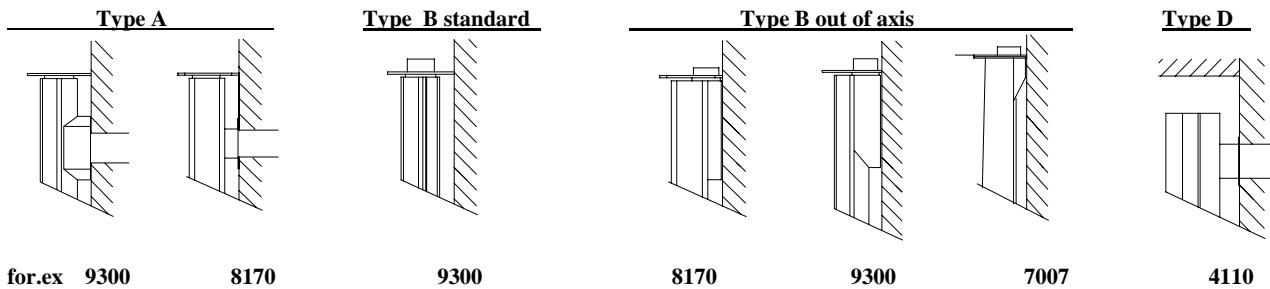


CONNECTION POSSIBILITIES FOR STOVES WITH STAINLESS FLUE

	flue in the wall	flue in the ceiling	flue coming out of ceiling
flue tiles			
inox double sided			
sloping ceiling			
flue tiles			

Notice : The connection must be made according to the country regulation

CONNECTION POSSIBILITIES FOR WALL STOVES TO THE FLUE



Notice : Type B out of axis : stainless tubes will be replaced by flexible stainless pipe.

VARIOUS FLUE DIMENSIONS

Minimum section of diametre : □ ∅

8170/8175	255 cm ²	18 x 18 cm	18 cm
4005/4105	314 cm ²	20 x 20 cm	20 cm
4010/4110	314 cm ²	20 x 20 cm	20 cm
9300	314 cm ²	20 x 20 cm	20 cm
2001	314 cm ²	20 x 20 cm	20 cm
3168/4	314 cm ²	20 x 20 cm	20 cm
83-123	415 cm ²	25 x 25 cm	23 cm
4600	314 cm ²	20 x 20 cm	20 cm
9600	314 cm ²	20 x 20 cm	20 cm
9120	415 cm ²	25 x 25 cm	23 cm
5005	314 cm ²	20 x 20 cm	20 cm
7005	314 cm ²	20 x 20 cm	20 cm
7007	314 cm ²	20 x 20 cm	20 cm
7120	415 cm ²	20 x 25 cm	23 cm
7100	314 cm ²	20 x 20 cm	20 cm
4200	314 cm ²	20 x 20 cm	20 cm

HOT	415 cm ²	25 x 25 cm	23 cm
ORA	314 cm ²	20 x 20 cm	20 cm
PRISMA V	314 cm ²	20 x 20 cm	20 cm
PRISMA H	314 cm ²	20 x 20 cm	20 cm
IZO	314 cm ²	20 x 20 cm	20 cm

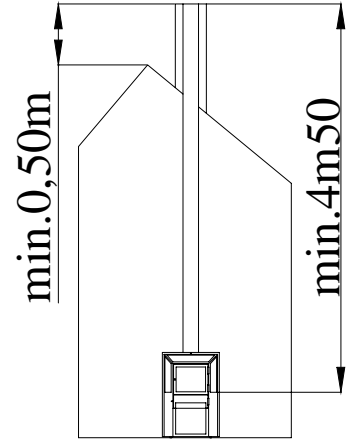
4005 gas	314 cm ²	20 x 20 cm	20 cm
4100 gas	314 cm ²	20 x 20 cm	20 cm
8170 gas	314 cm ²	20 x 20 cm	20 cm

Minimum section of diametre : □ ∅

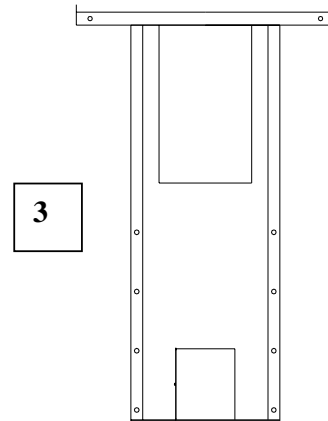
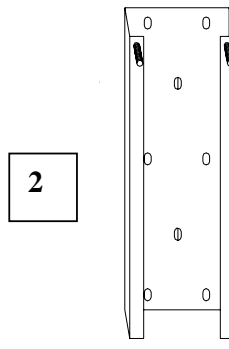
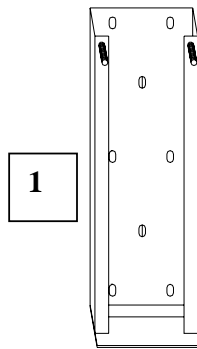
3073/P3073	255 cm ²	18 x 18 cm	18 cm
3168	314 cm ²	20 x 20 cm	20 cm
3168/3	314 cm ²	20 x 20 cm	20 cm
3073DP	255 cm ²	18 x 18 cm	18 cm
P3073DP	255 cm ²	18 x 18 cm	18 cm
3168DP	314 cm ²	20 x 20 cm	20 cm
3168N	314 cm ²	20 x 20 cm	20 cm
6900	314 cm ²	20 x 20 cm	20 cm
69-52 + LOFT	314 cm ²	20 x 20 cm	20 cm
80-60 + LOFT	314 cm ²	20 x 20 cm	20 cm
69-52/2 + LOFT	314 cm ²	20 x 20 cm	20 cm
80-60/2 + LOFT	314 cm ²	20 x 20 cm	20 cm
75-55	314 cm ²	20 x 20 cm	20 cm
85-65	314 cm ²	20 x 20 cm	20 cm

STIL	314 cm ²	20 x 20 cm	20 cm
SEDNA 140	314 cm ²	20 x 20 cm	20 cm
SEDNA 120	314 cm ²	20 x 20 cm	20 cm
XAR	314 cm ²	20 x 20 cm	20 cm
XAR DF	314 cm ²	20 x 20 cm	20 cm

8175 gas	314 cm ²	20 x 20 cm	20 cm
8300 gas	314 cm ²	20 x 20 cm	20 cm
83-123 gas	314 cm ²	20 x 20 cm	20 cm



TYPE OF FIXATION FOR WALL MOUNTED APPLIANCES



<u>Appliance</u>	<u>Type</u>	<u>height of the support from the floor</u>	<u>Dimensions (height x wide x depth)</u>
8170 and 8175 wall version 4005, 4105, 4010, 4110	1	35 cm	50 x 17 x 8 cm
9300	2	48cm	50 x 17 x 8 cm
5005, 7005, 7007, 7120	1	35 cm	50 x 17 x 6 cm
7100	1	43 cm	50 x 17 x 6 cm
8300	2	57 cm	50 x 17 x 6 cm
PRISMA H&V	3	55cm	103 x 66 x 6 cm

THE OPEN GAS FIREPLACES

Technical characteristics of the gas burners :

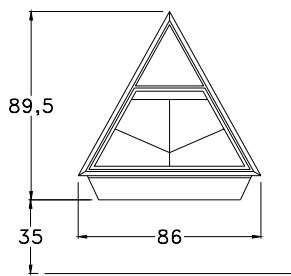
Input Model 4005: 12,8 Kw
 Input Model 4010 : 13,2 Kw
 Appliances ref : B21AS
 Pressure of LPG : 50 gr

diameter of the flue : 200 mm
 connection pipe delivered (male 3/8" conic)
 Security van and injector not included

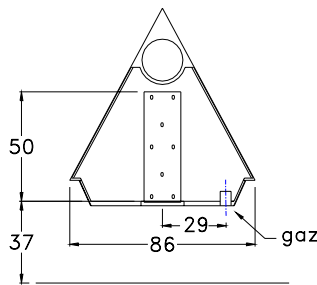
Available in LPG and Natural gas : to precise at order

Notice :
Any installation and connection must be made in respect of the country regulations.

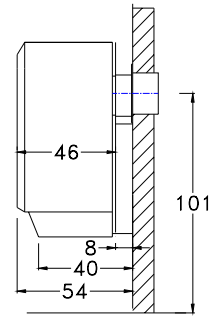
Model 4005



Front view

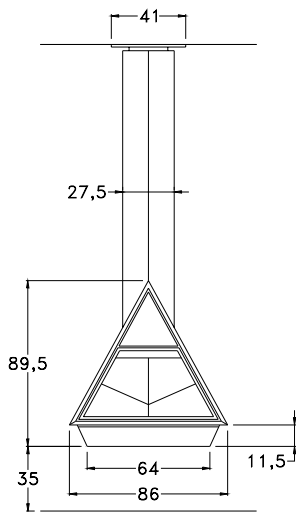


Back view

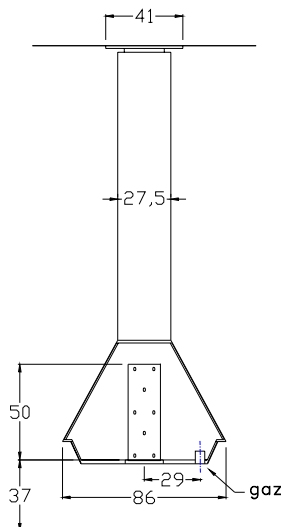


Side view

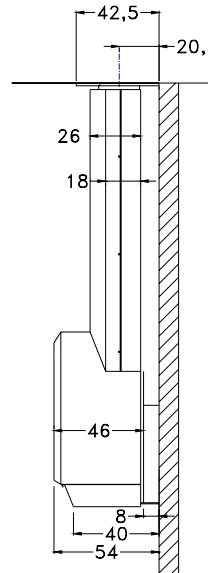
Model 4010



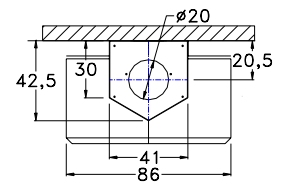
Front view



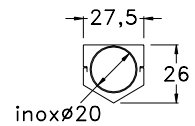
Back view



Side view



Top view with the ceiling plate



Top view of the shells

THE OPEN GAS FIREPLACES

Technical characteristics of the gas burners :

Input Model 8175: 12,8 Kw
 Input Model 8170 : 13,2 Kw
 Appliances ref : B21AS
 Pressure of LPG : 50 gr

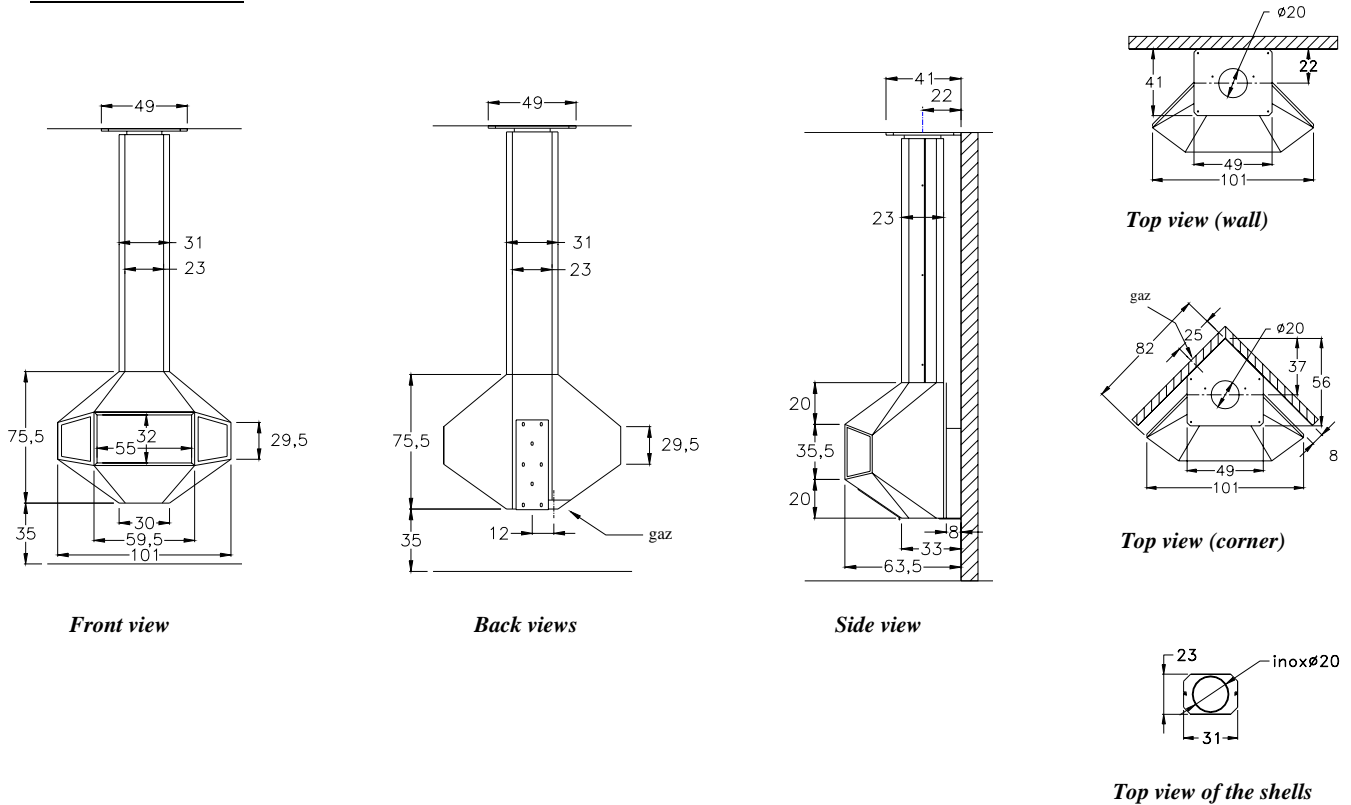
diameter of the flue : 200 mm
 connection pipe delivered (male 3/8" conic)
 Security van and injector not included

Available in LPG and Natural gas : to precise at order

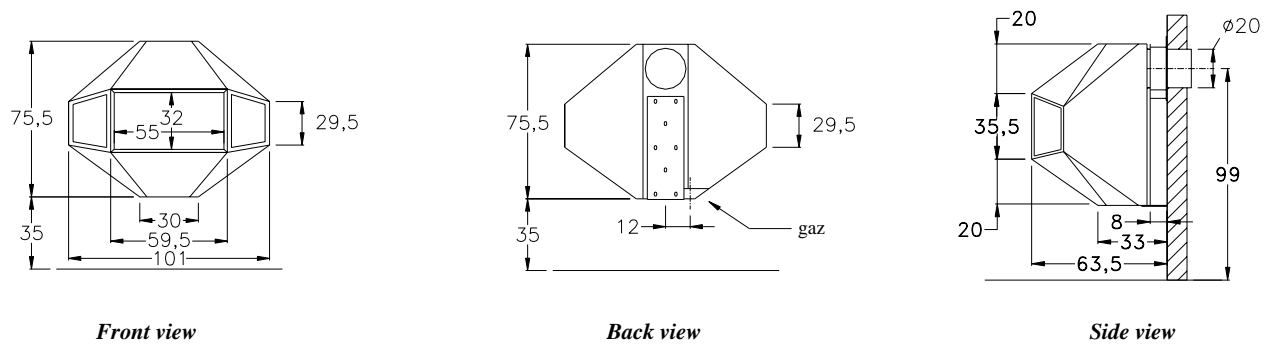
Notice :

Any installation and connection has to been done in respect of the country regulations.

Model 8170



Model 8175



LES FEUX OUVERTS AU GAZ

Technical characteristics of the gas burners :

Input Model 8300 and 83-123 : 13,2 Kw
 Appliances ref : B21AS
 Pressure of LPG : 50 gr

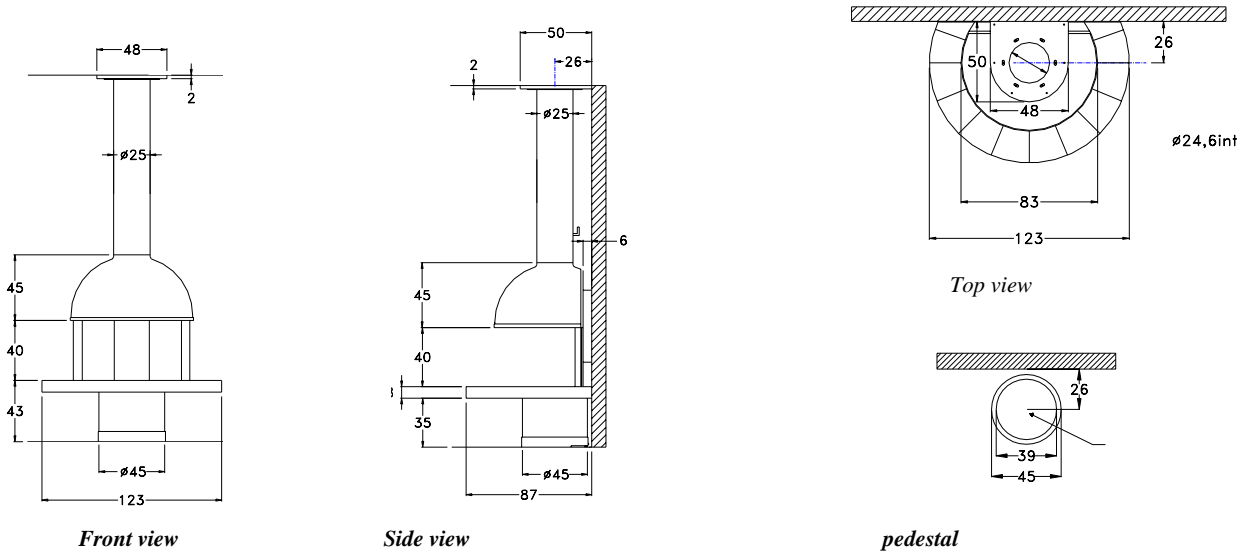
diameter of the flue : 200 mm
 connection pipe delivered (male 3/8" conic)
 Security van and injector not included

available in LPG and Natural gas : to precise at order

Notice :

Any installation and connection has to been done in respect of the country regulations.

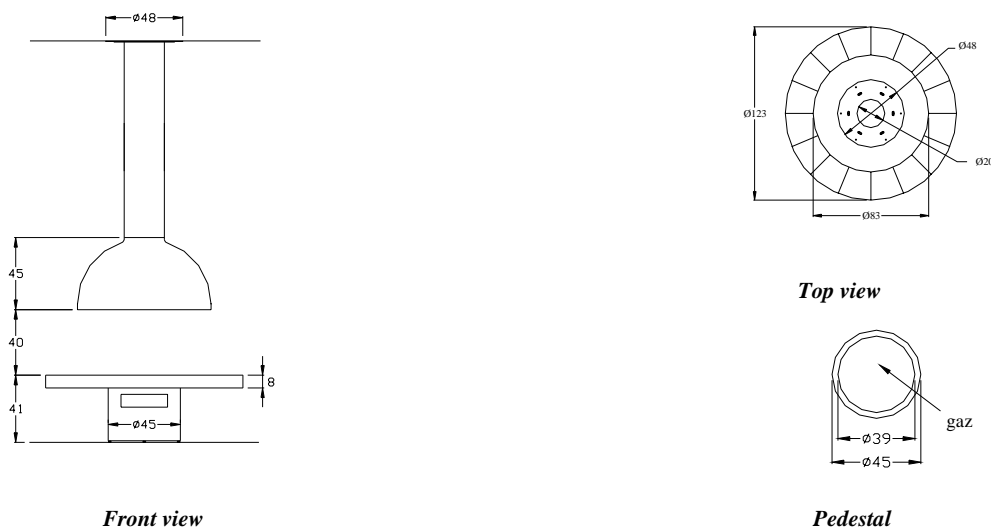
Model 8300



Notice : the foot is equipped with a cup to access to the security van.

Remote control in option (only for the Natural gas). In this case an electrical source has to be provided in the foot, near the gas source.

Model 83-123



Notice : the foot is equipped with a cup to access to the security van.

Remote control in option (only for the Natural gas). In this case an electrical source has to be provided in the foot, near the gas source.

5 years Warranty

ARTIMAT is a range of DON-BAR Design

DON-BAR has the right to change at any time any technical specifications of any model from it's range.

**Belgium : DON-BAR Design– Chemin de la Guelenne 64 – 7060 SOIGNIES – T +32 (0)67.64.51.90 – F +32 (0)67.64.51.99
France : D.B. s.a. – 8 Rue Maréchal de Lattre de Tassigny – 59000 LILLE – T +33 (0)3.28.82.06.32 – F +33 (0)3.28.82.07.52**

Contact@donbar.be
www.donbar.com
www.artimat.net